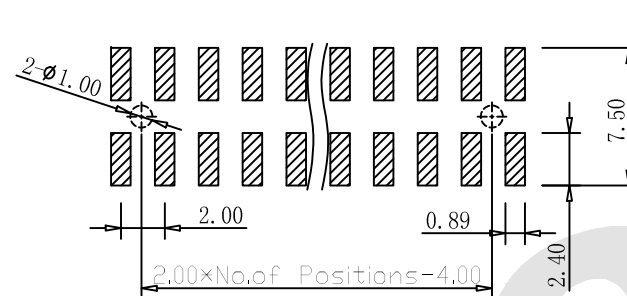
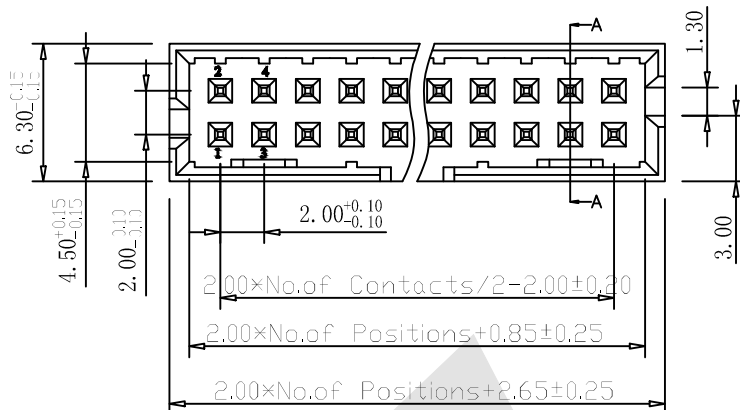




SPECIFICATION

Current Rating: 2.0 Amp
 Insulation Resistance: 1000MΩ Min
 Contact Resistance: 20mΩ Max
 Withstand Voltage: 500V AC/DC
 Operating Temperature: -40° C to +105° C
 Contact Material: Brass
 Contact Plating: Au or Sn Over Ni
 Insulator Material: PA6T+30%GF Black UL 94V-0

4 And 6 Pin Without Identification Tag
 "B", Slot "C" And Slot "D"
 8 To 12 Pin Without Slot "C"

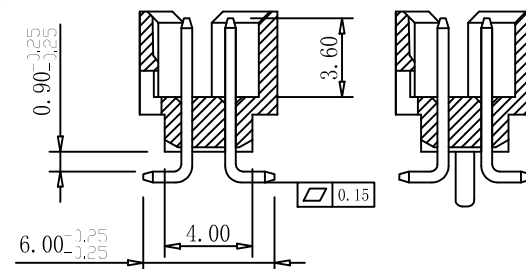
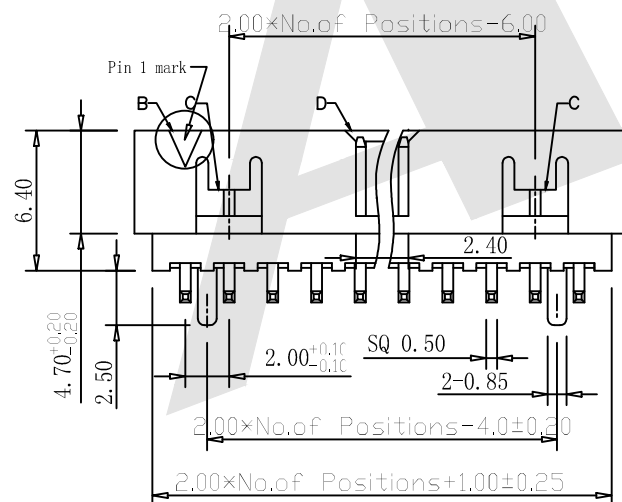


Recommended P.C.B Layout (Top Side)
 (PCB BOARD TOLERANCE ±0.05)

Ordering Code:

BHCM03 - X - X - X - X - X - X
 ① ② ③ ④ ⑤ ⑥ ⑦

- ① Series No:
 04 06 08 10 12 14
 16 18 20 22 24 26
 28 30 32 34 36 38
 40 42 44 46 48 50
- ② No. of Contacts
 04 06 08 10 12 14
 16 18 20 22 24 26
 28 30 32 34 36 38
 40 42 44 46 48 50
- ③ Contact Plating:
 G0:Gold Flash S0:Selective
 G1:3U" Gold S1:Selective 3u"
 G2:5u" Gold S2:Selective 5u"
 G3:10u" Gold S3:Selective 10u"
 G4:15u" Gold S4:Selective 15u"
 G5:30u" Gold S5:Selective 30u"
 SN: Tin
- ④ Color Insulator
 B:Black
 U:Blue
 W:White
- ⑤ Insulator Material
 B:PA6T
 C:LCP
 E:PA9T
- ⑥ Packing
 A:Tray
 B:Bag
 T:Tube
 U:Tube+CAP
 R:Tape&Reel
 W:Tape&Reel+CAP
- ⑦ With Locating Pegs Option
 A:Type A Without Pegs
 B:Type B With Pegs



A=TYPE A (W/O POST) B=TYPE B (WITH POST)

SECTION A-A

Unless Otherwise specified tolerance
 X. ±0.35 X.XX: ±0.20
 X.X: ±0.25 X.XXX: ±0.15

SCALE: As Shown UNIT: mm
 DRAW ZLA DATE 24/04/2022
 CHECK BobYang DATE 24/04/2022



Atkconn® ATKCONN ELECTRONICS CO., LTD
[Http://www.atkconn.com](http://www.atkconn.com)

TITLE: 2.00mm Box Header SMT H=6.40
 DRAWING NO: BCHM03-XXXXXX
 PRODUCT NO: BCHM03-XXXXXX

REV	DESCRIPTION	DATE