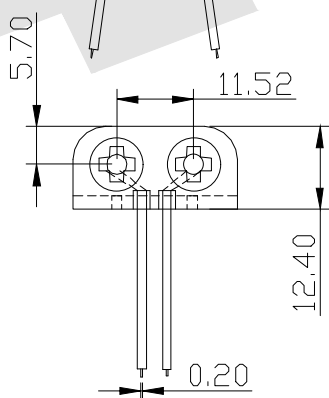
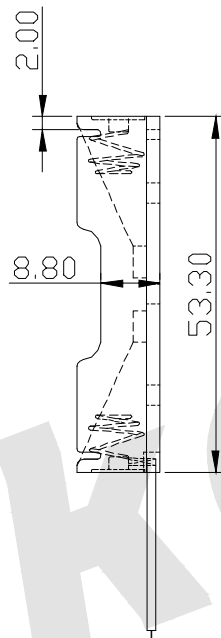
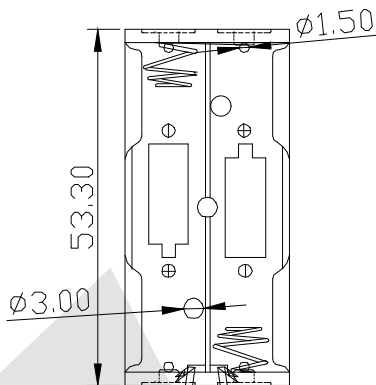
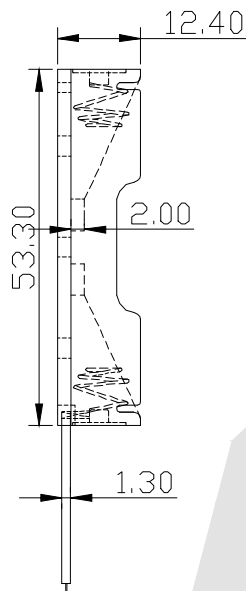
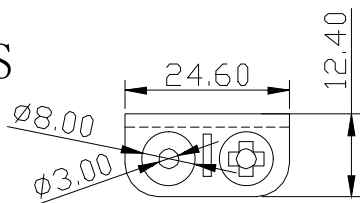


HSF



ROHS



1. HOLDER MAT'L:POLYPROPYLENE
SPRING MAT'L:MUSIC WIRE, (0.60)DIA.
FINISH:NICKEL PLATE

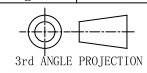
Ordering Code:

BBA - 7 - 2 - 150 - A - 2
① ② ③ ④ ⑤ ⑥

- ① BB:Battery Holders
- ② BATTERY TYPE
5: AA SIZE
7: AAA SIZE
- ③ BATTERY NUMBERS
1: 1 piece
2: 2 Pieces
3: 3 pieces
4: 4 pieces
- ④ Wire Length
For example:
150=150mm
- ⑤ Packing
A:TRAY
- ⑥ 2 : Series Number

Unless Otherwise specified tolerance
X. ±0.35 X.XX:±0.20
X.X:±0.25 X.XXX:±0.15

SCALE: As Shown UNIT: mm
DRAW ZLA DATE 21/07/2022
CHECK BobYang DATE 21/07/2022



Atkconn® ATKCONN ELECTRONICS CO., LTD
[Http://www.atkconn.com](http://www.atkconn.com)

TITLE: 2 PIECES AAA Battery Holders

DRAWING NO: BBA-7-2-150-A-2

PRODUCT NO: BBA-7-2-150-A-2

REV	DESCRIPTION	DATE
1		
2		
3		
4		
5		