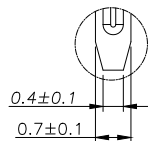
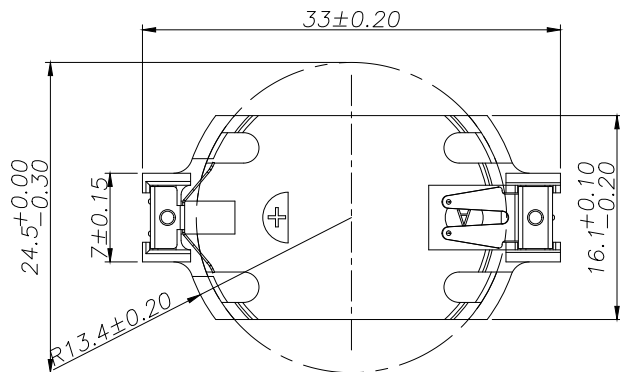


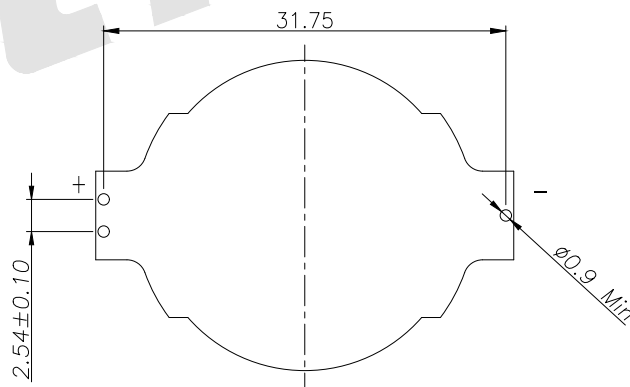
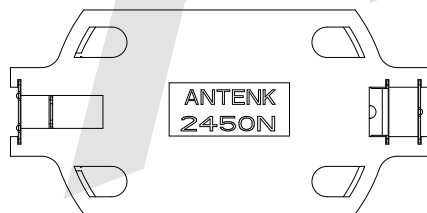
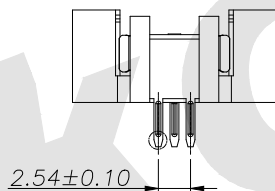
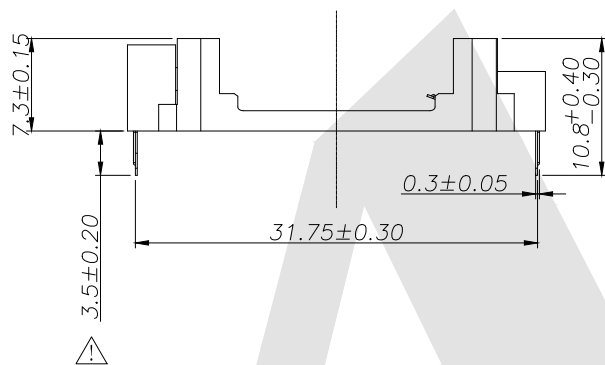
HSF



ROHS



DETAIL A(SCAL4:1)



PCB LAYOUT (TOP VIEW)

NOTES:

1. Housing: LCP+30%G.F, Colr:Nature, UL94V-0
2. Contact: Spring Stainless Steel, T=0.15mm
Solder area: 200u" Tin Plated
50u" Nickel Min Under-Overall;
3. Working Temp: -30° C to +70° C

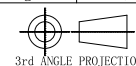
Order code:

BT - R - SN - R - 2450N
 ① ② ③ ④ ⑤

- ① BT:Coin Cell Holders
- ② Apperance for the product
M:SMT TYPE
S:180 TYPE
R:90 TYPE
- ③ Contact Plating
SN: Tin
G0: Gold flash
G1: 3U" Gold
G2: 5U" Gold
G3: 10U" Gold
G4: 15U" Gold
G5: 30U" Gold
- ④ Packing method
A: Tray packing
R: Tape & reel packing
- ⑤ Product number
2450N

Unless Otherwise specified tolerance
 X. ±0.35 X.XX: ±0.20
 X.X: ±0.25 X.XXX: ±0.15

SCALE: As Shown UNIT: mm
 DRAW ZLA DATE 21/07/2022
 CHECK BobYang DATE 21/07/2022



Atkconn® ATKCONN ELECTRONICS CO., LTD
[Http://www.atkconn.com](http://www.atkconn.com)

TITLE:
Coin Cell Holders Right Angle DIP For CR2450

DRAWING NO: BT-R-SN-A-2450N

PRODUCT NO: BT-S-SN-A-2450N

REV	DESCRIPTION	DATE
1		
2		
3		
4		
5		