

HSF



ROHS

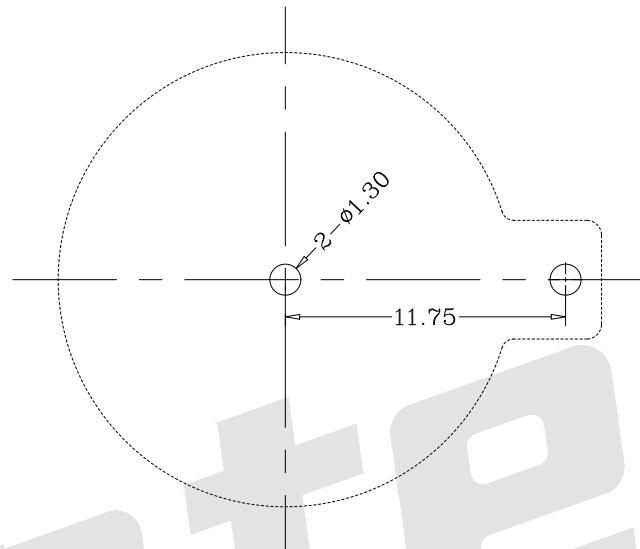
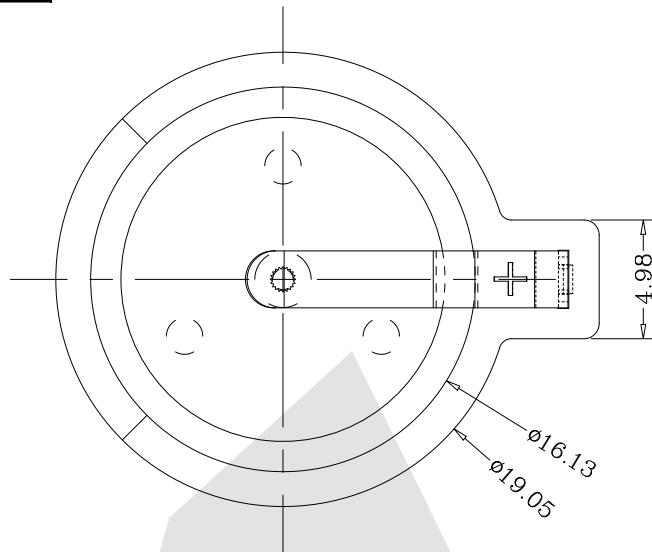
NOTE:

- 1. BASE:PBT (UL94V-0) BLACK
- 2. CONTACTS:0.4 TH'K SPRING STEEL

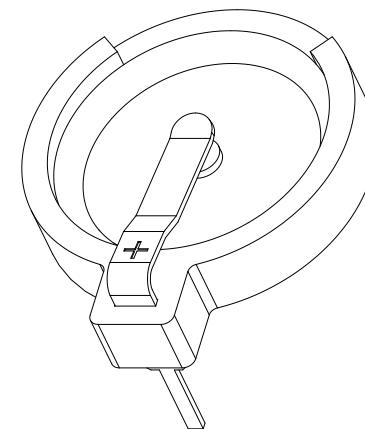
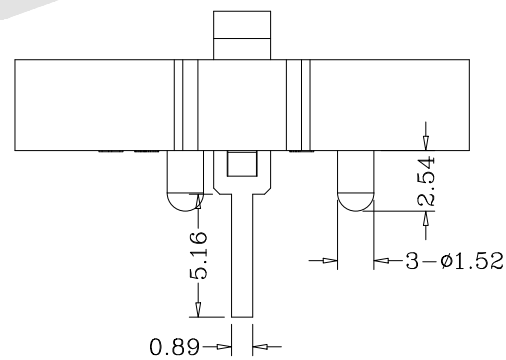
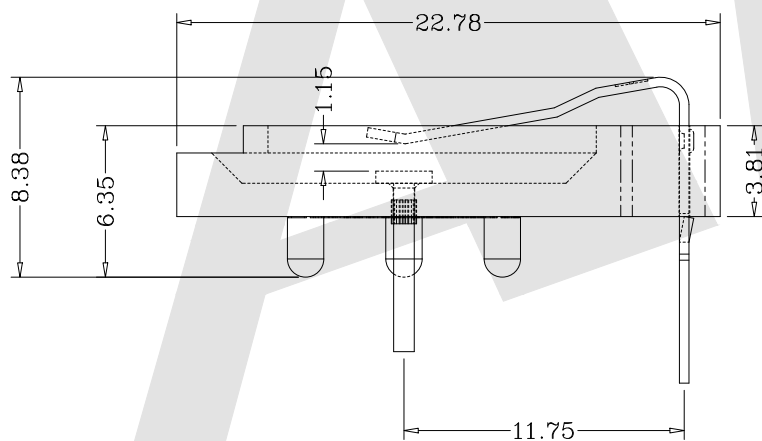
Order code:

BT — S — SN — A — F502-3  
 ① — ② — ③ — ④ — ⑤

- ① BT: Coin Cell Holders
- ② Appearance for the product  
S:180 TYPE
- ③ Contact Plating  
SN: Tin  
G0: Gold flash  
G1: 3U" Gold  
G2: 5U" Gold  
G3: 10U" Gold  
G4: 15U" Gold  
G5: 30U" Gold
- ④ Packing method  
A: Tray B: Bag  
R: Tape & reel
- ⑤ Product number  
F502-3



PCB LAYOUT



Unless Otherwise specified tolerance  
 X. ±0.35 X.XX: ±0.20  
 X.X: ±0.25 X.XXX: ±0.15

SCALE: As Shown UNIT: mm  
 DRAW GONGFENG DATE 22/04/2022  
 CHECK BobYang DATE 22/04/2022



**Antenk**® ANTENK ELECTRONICS CO., LTD  
[Http://www.antenk.com](http://www.antenk.com)  
 E-mail:sales@antenk.com

TITLE:  
Coin Cell Holders FOR CR1632 DIP

DRAWING NO: BT-S-SN-A-F502-3

PRODUCT NO: BT-S-SN-A-F502-3

| REV | DESCRIPTION | DATE |
|-----|-------------|------|
| 1   |             |      |
| 2   |             |      |
| 3   |             |      |
| 4   |             |      |
| 5   |             |      |