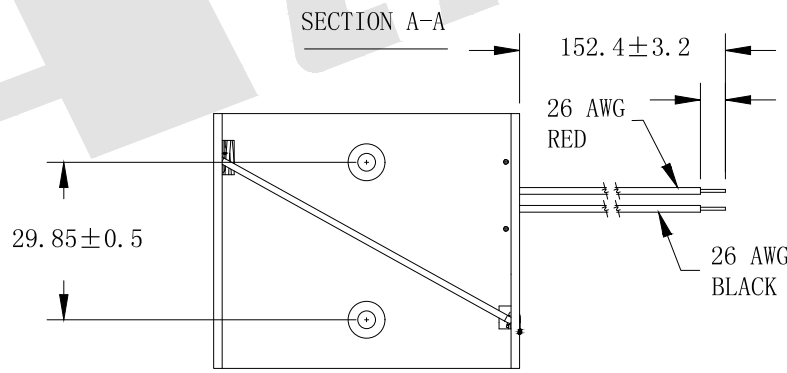
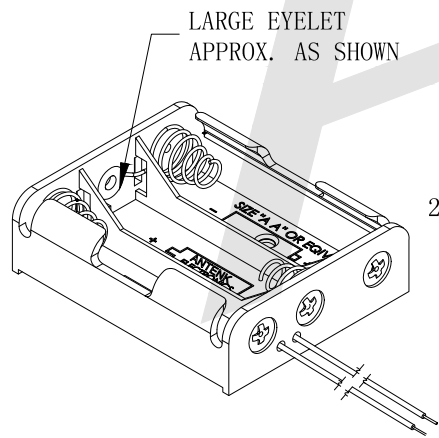
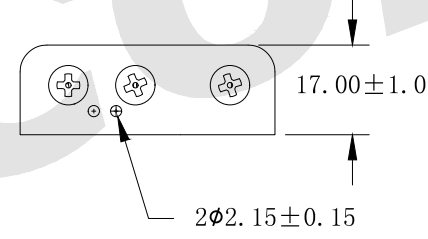
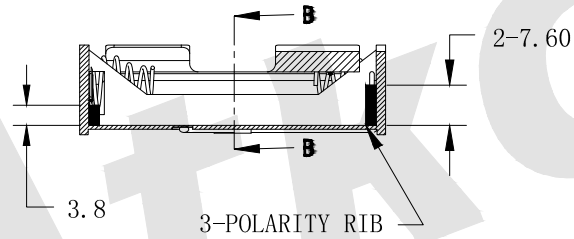
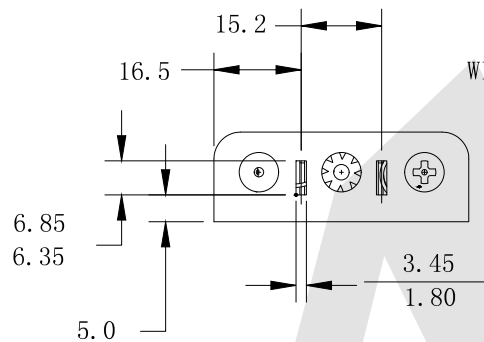


NOTE:
 1. HOLDER MATERIAL: POLYPROPYLENE
 2. SPRING MATERIAL: MUSIC WIRE, 0.7 DIA. FINISH-NICKEL PLATED
 3. #26 AWG WIRE, STRIPPED & PRETINNEDED ENDS UL/CSA 1007
 5. ALL SPRINGS TO BE ALIGNED BY CENTER LINE OF EACH SPRING, MIS-ALIGNMENT ALLOWED UP TO TOTAL OF 0.50

BBA - 5 - 3 - B - 152 - 465
 ① ② ③ ④ ⑤ ⑥

- ① BBA: Battery Holders
- ② BATTERY TYPE
- ③ BATTERY NUMBERS
- ④ Packing
- ⑤ WIRE LENGTH
- ⑥ Series Number



Unless Otherwise specified tolerance
 X. ±0.35 X.XX: ±0.20
 X.X.X: ±0.25 X.XXX: ±0.15

Atkconn® ATKCONN ELECTRONICS CO., LTD
[Http://www.atkconn.com](http://www.atkconn.com)

SCALE: As Shown UNIT: mm
 DRAW: ZLA DATE: 21/07/2022
 CHECK: BobYang DATE: 21/07/2022

TITLE:
 3 PIECES AA Battery Holders with wires

DRAWING NO: BBA-5-3-B-152-465
 PRODUCT NO: BBA-5-3-B-152-465



REV	DESCRIPTION	DATE
1		
2		
3		
4		
5		