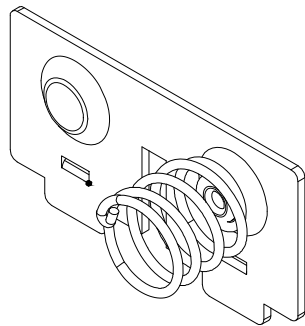




NOTE:

1. CONTACT: MAT" L 0.50 (.020) TH "K STEEL
SPRING CONTACT:
MAT" L 0.50 (.020) DIA. MUSIC WIRE



Order code:

BS - S - SN - R - L5214XR
① ② ③ ④ ⑤

BS: Battery contacts

Apperance for the product

M: SMT TYPE

S: 180 TYPE

R: 90 TYPE

③ Contact Plating

SN: Tin

G0: Gold flash

G1: 3U" Gold

G2: 5U" Gold

G3: 10U" Gold

G4: 15U" Gold

G5: 30U" Gold

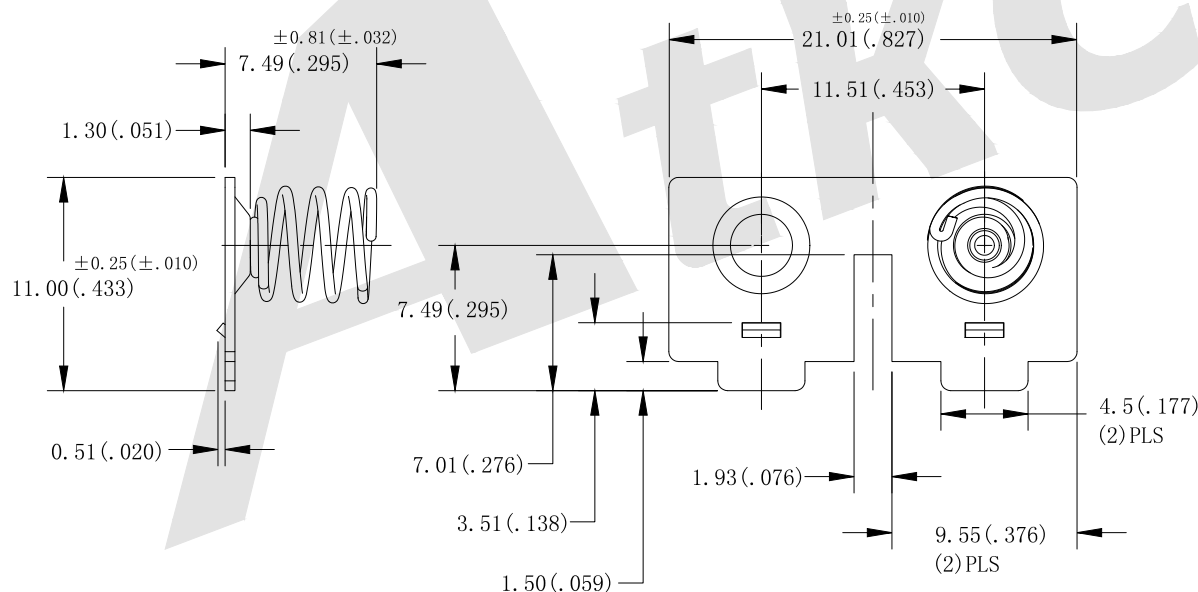
④ Packing method

A: Tray packing

R: Tape & reel packing

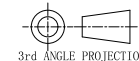
⑤ Product number

CRL5214XR



Unless Otherwise specified tolerance
X. ±0.35 X.XX: ±0.20
X.X: ±0.25 X.XXX: ±0.15

SCALE: As Shown UNIT: mm
DRAW ZLA DATE 21/07/2022
CHECK BobYang DATE 21/07/2022



Atkconn® ATKCONN ELECTRONICS CO., LTD
[Http://www.atkconn.com](http://www.atkconn.com)

TITLE: Battery Contacts For L5214

DRAWING NO: BS-S-SN-R-L5214XR

PRODUCT NO: BS-S-SN-R-L5214XR

REV	DESCRIPTION	DATE
1		
2		
3		
4		
5		