

HSF



ROHS

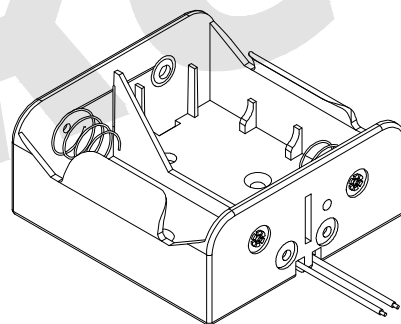
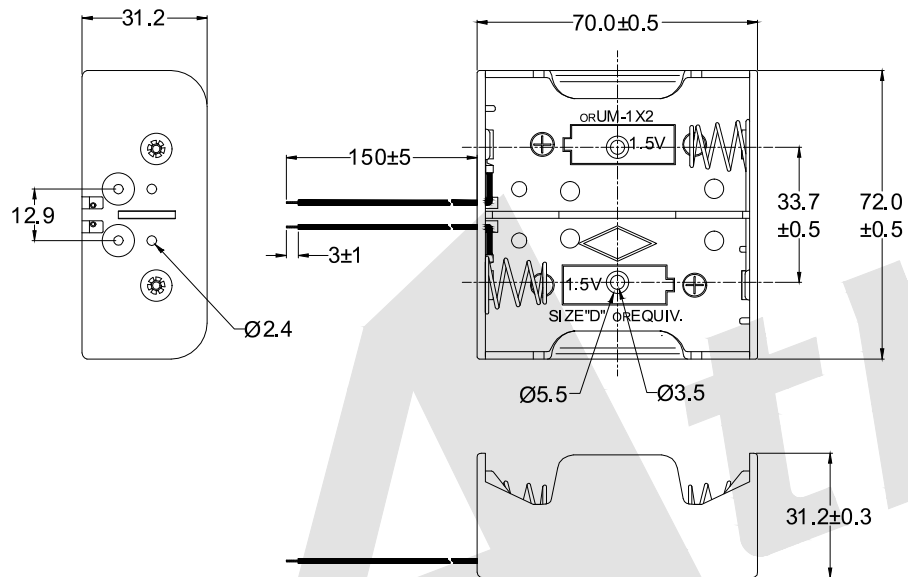
Note

- 1. Base Material: PP Resin, Black.
- 2. Flammability Rating: UL94-HB Or Custom Made.
- 3. Wire: UL1007 24 AWG, 300V, 80°C
150±5mm, Strip And Tin 5±1.
- 4. Spring: 1.00mm 65C Spring Wire, Nickel Plated
- 5. Ricets: Brass, Nickel Plated.
- 6. RoHS Compliant

Ordering Code:

BBA - D - 2 - 150 - A
 ① ② ③ ④ ⑤

- ① BBA: Battery Holders
- ② BATTERY TYPE
D: D SIZE
- ③ BATTERY NUMBERS
1: 1 piece
2: 2 Pieces
3: 3 pieces
4: 4 pieces
- ④ Wire Length
For example:
150=150mm
- ⑤ Packing
A: TRAY



Unless Otherwise specified tolerance
 X. XX: ±0.20
 X. X: ±0.25 X. XXX: ±0.15
 X. ±0.35

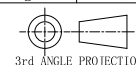
Atkconn® ATKCONN ELECTRONICS CO., LTD
[Http://www.atkconn.com](http://www.atkconn.com)

SCALE: As Shown	UNIT: mm
DRAW ZLA	DATE 21/07/2022
CHECK BobYang	DATE 21/07/2022

TITLE: 2 PIECES D Battery Holders

DRAWING NO: BBA-D-2-150-A

PRODUCT NO: BBA-D-2-150-A



REV	DESCRIPTION	DATE
1		
2		
3		
4		
5		