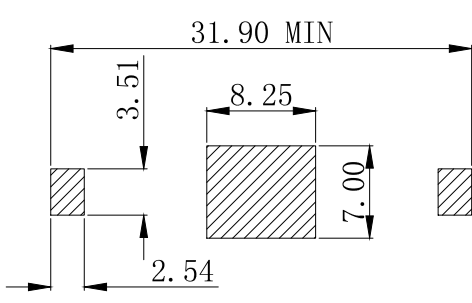
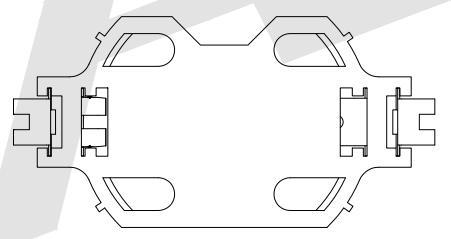
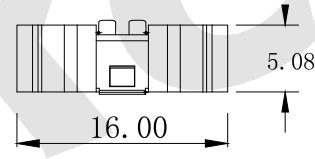
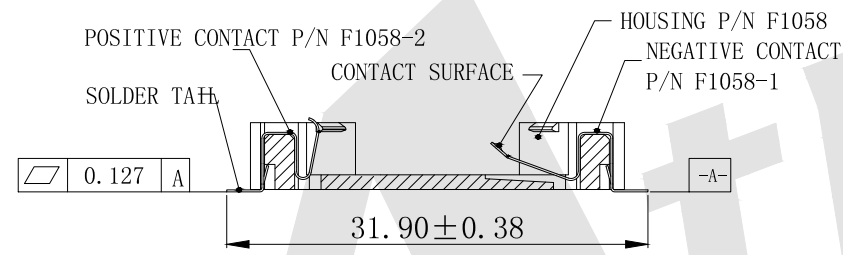
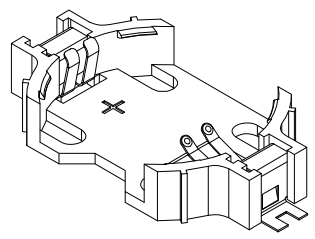
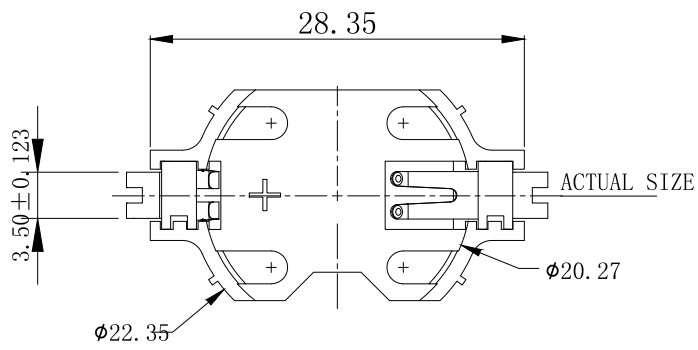


HSF



RoHS



PCB LAYOUT

NOTES :

1. BASE:

MAT' L-LCP 30% GLASS FILLED  
UL94V-0

2. CONTACTS:

MAT' L-0.152 TH'K PHOSPHOR BRONZE  
FINISH:GOLD FLASH 0.0000762 OVER  
0.00127-0.00254 NICKEL  
ON CONTACT SURFACE AND SOLDER TAIL  
BALANCE OF PART 0.0000254 MIN. GOLD,  
OVER NICKEL PLATE

Order code:

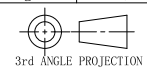
BT	—	M	—	GO	—	R	—	CR1058A
①		②		③		④		⑤

- ① BT:Coin Cell Holders
- ② Apperance for the product  
M:SMT TYPE  
S:180 TYPE  
R:90 TYPE
- ③ Contact Plating  
SI: NICKEL Plated  
SN: Tin  
G0:Gold flash  
G1: 3U" Gold  
G2: 5U" Gold  
G3:10U" Gold  
G4:15U" Gold  
G5:30U" Gold

- ④ Packing method  
A: Tray packing  
R: Tape & reel packing
- ⑤ Product number  
CR1058A

Unless Otherwise specified tolerance  
 X. ±0.35    X.XX: ±0.20  
 X.X: ±0.25    X.XXX: ±0.15

SCALE: As Shown	UNIT: mm
DRAW ZLA	DATE 21/07/2022
CHECK BobYang	DATE 21/07/2022



**Atkconn**® ATKCONN ELECTRONICS CO., LTD  
[Http://www.atkconn.com](http://www.atkconn.com)

TITLE: Coin Cell Holders For CR2032

DRAWING NO: BT-M-GO-R-CR1058A

PRODUCT NO: BT-M-GO-R-CR1058A

REV	DESCRIPTION	DATE
1		
2		
3		
4		
5		

HSF



ROHS

NOTES:

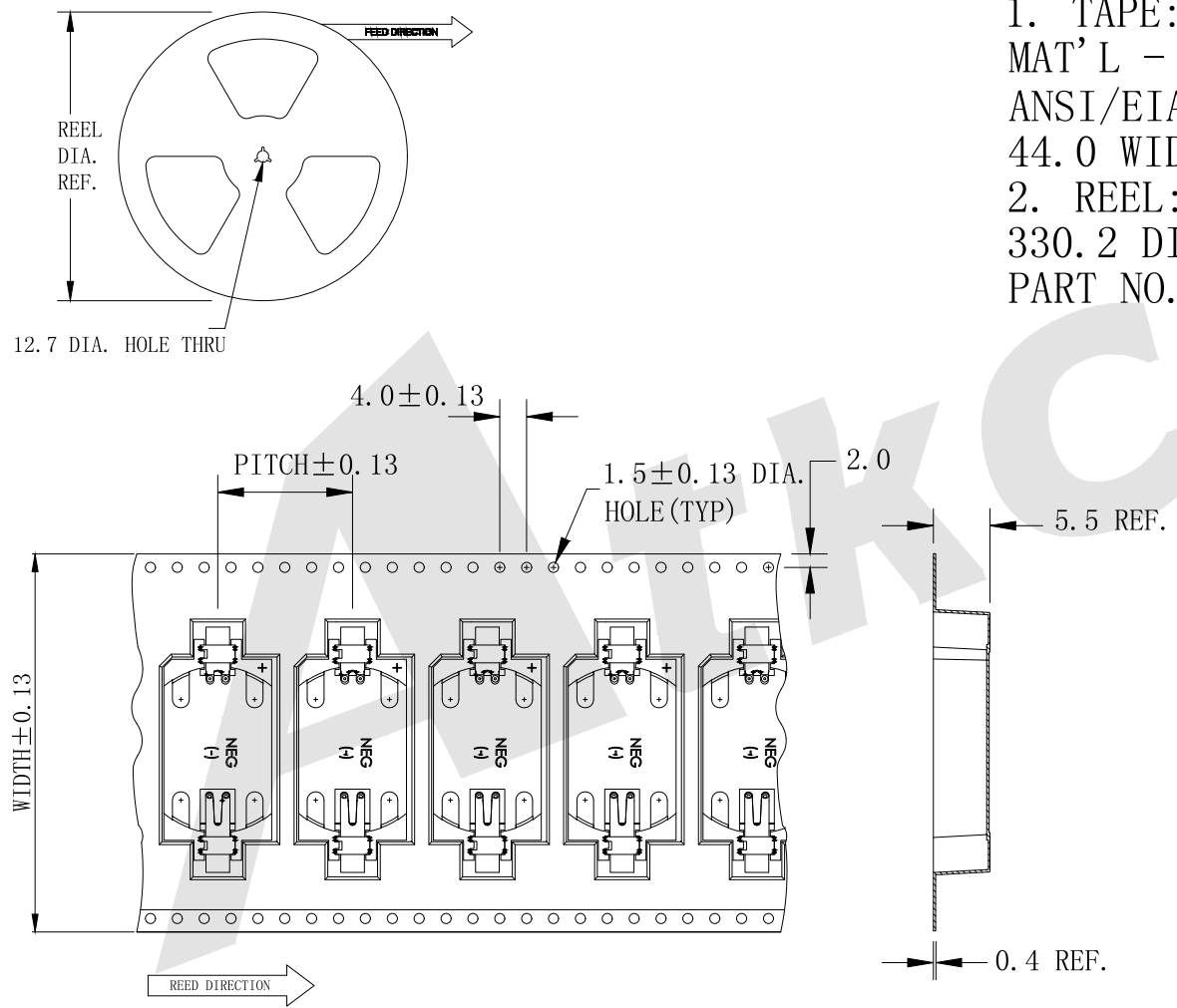
TAPE AND REEL SPECIFICATIONS:

1. TAPE:

MAT'L - ALL CONDUCTIVE POLYSTYRENE CARRIER  
ANSI/EIA-481 STANDARD  
44.0 WIDE; 20 PITCH

2. REEL:

330.2 DIA. 500 PIECES OF  
PART NO. 1058 PER REEL.



Unless Otherwise specified tolerance  
 X.  $\pm 0.35$  X. XX:  $\pm 0.20$   
 X. X:  $\pm 0.25$  X. XXX:  $\pm 0.15$

**Atkconn**® ATKCONN ELECTRONICS CO., LTD  
[Http://www.atkconn.com](http://www.atkconn.com)

SCALE: As Shown	UNIT: mm
DRAW ZLA	DATE 21/07/2022
CHECK BobYang	DATE 21/07/2022

TITLE:  
1058 SM COIN CELL HOL .DER ON TAPE

DRAWING NO: BT-M-GO-R-CR1058A

PRODUCT NO: BT-M-GO-R-CR1058A

REV	DESCRIPTION	DATE
1		
2		
3		
4		
5		

