

HSF

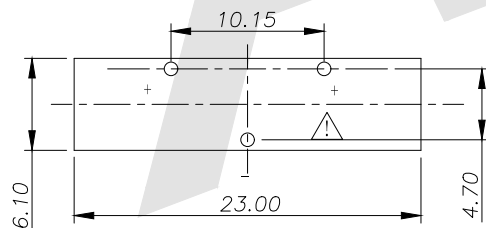
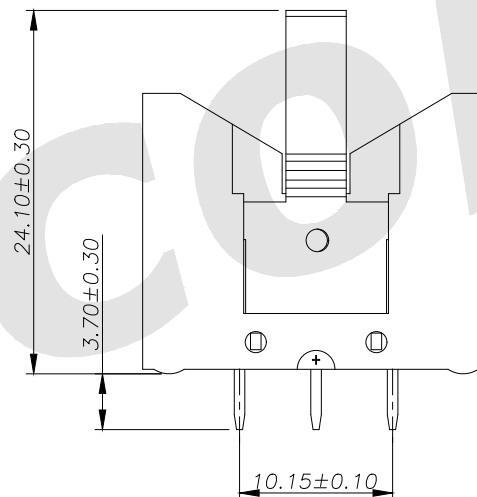
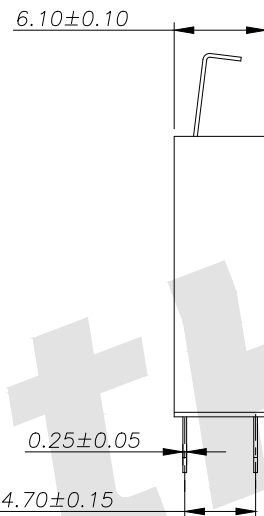
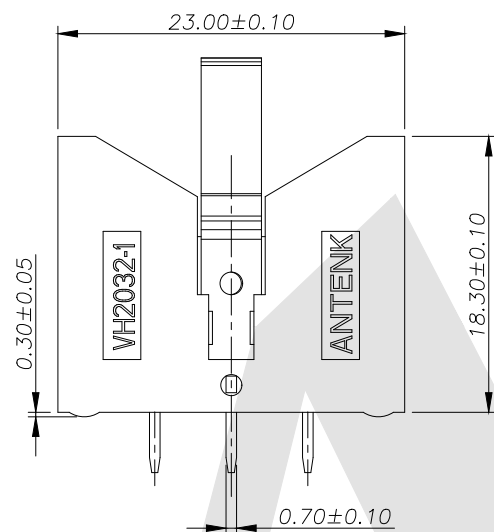
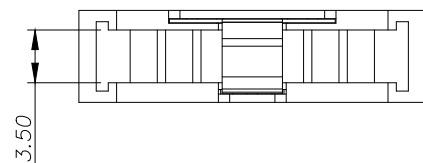


ROHS



NOTES:

- 1. Housing: PA66+30%G.F, Colr:Black, UL94V-0
- 2. Contact: Spring Stainless Steel, T=0.25mm Plated Nickel Overall 5um Min;
- 3. Working Temp: -30° C to +70° C



PCB LAYOUT (TOP VIEW)

Order code:

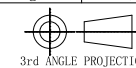
BT - S - SN - A - VH2032-1

- ① ② ③ ④ ⑤

- ① BT: Coin Cell Holders
- ② Apperance for the product
S:180 TYPE
- ③ Contact Plating
SN: Tin
G0: Gold flash
G1: 3U" Gold
G2: 5U" Gold
G3: 10U" Gold
G4: 15U" Gold
G5: 30U" Gold
- ④ Packing method
A: Tray packing
R: Tape & reel packing
- ⑤ Product number
VH2032-1

Unless Otherwise specified tolerance
 X. ±0.35 X. XX: ±0.20
 X. X: ±0.25 X. XXX: ±0.15

SCALE: As Shown UNIT: mm
 DRAW ZLA DATE 21/07/2022
 CHECK BobYang DATE 21/07/2022



Atkconn® ATKCONN ELECTRONICS CO., LTD
[Http://www.atkconn.com](http://www.atkconn.com)

TITLE:
 Coin Cell Holders For CR2032 Vertical DIP Type

DRAWING NO: BT-S-SN-A-VH2032-1

PRODUCT NO: BT-S-SN-A-VH2032-1

REV	DESCRIPTION	DATE
1		
2		