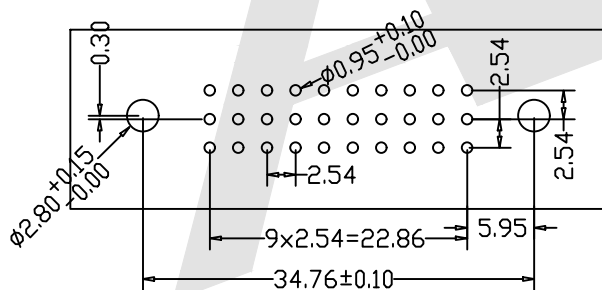
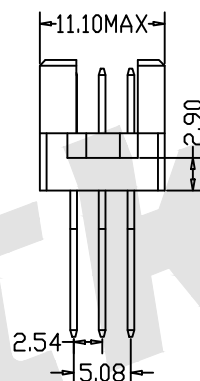
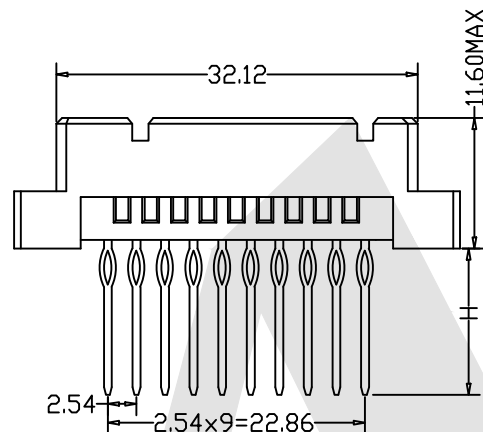
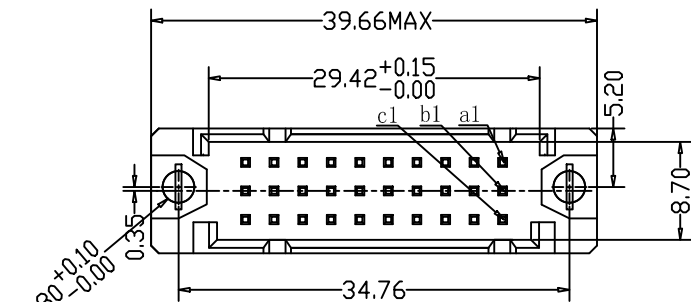


HSF



ROHS



Recommended P. C. B. Layout

Code	Number Of Contacts	Contact Arrangement	Rows With Contacts	Pitch
D	30		a	2.54
F	20		a c	5.08
D1	10		a b c	

SPECIFICATION

Current Rating: 2.0Amp
 Insulation Resistance: 1000MΩ min.at DC 100V
 Contact Resistance: 20mΩ max
 Withstand Voltage: AC 1000V For 1 Minute
 Operating Temperature: -55° C to +105° C
 Contact Material: Brass
 Contact Plating: Au or Sn Over Ni
 Insulator Material: PBT+30%GF UL 94V-0
 Insertion Force: 30 pin max.28N
 Withdrawal Force: 0.15N min.per individual contact

Ordering Code:

DMS - XX - X - X - X -322
 ① ② ③ ④ ⑤ ⑥

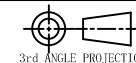
- ① Series No:
- ② No. of Contacts
30P 20P 10p
- ③ Termination
I: Straight press-fit tail length H=5.0mm
M: Straight press-fit tail length H=13.0mm
N: Straight press-fit tail length H=17.0mm
- ④ Rows Loaded With Contacts
D: Row a+b+c
F: Row a+b
D1: Row a+c (2, 4, 6...)
- ⑤ Contact Plating
G0: Gold flash
S0: Gold flash/Ni
G1: 3u" Gold
S1: 3u" Gold/Ni
G2: 5u" Gold
S2: 5u" Gold/Ni
G3: 10u" Gold
S3: 10u" Gold/Ni
G4: 15u" Gold
S4: 15u" Gold/Ni
G5: 30u" Gold
S5: 30u" Gold/Ni
SN: Tin
- ⑥ Series number
322

Unless Otherwise specified tolerance
 X. XX: ±0.20
 X. X: ±0.25 X. XXX: ±0.15
 X. ±0.35

Atkconn® ATKCONN ELECTRONICS CO., LTD
 Http://www.atkconn.com

SCALE: As Shown UNIT: mm
 DRAW ZLA DATE 25/04/2022
 CHECK BobYang DATE 25/04/2022

TITLE: DIN41612 Vertical Plug Type 1/3R Compliant press-Fit Connectors 30 Positions



DRAWING NO: DMS-XX-XXX-322
 PRODUCT NO: DMS-XX-XXX-322

REV	DESCRIPTION	DATE