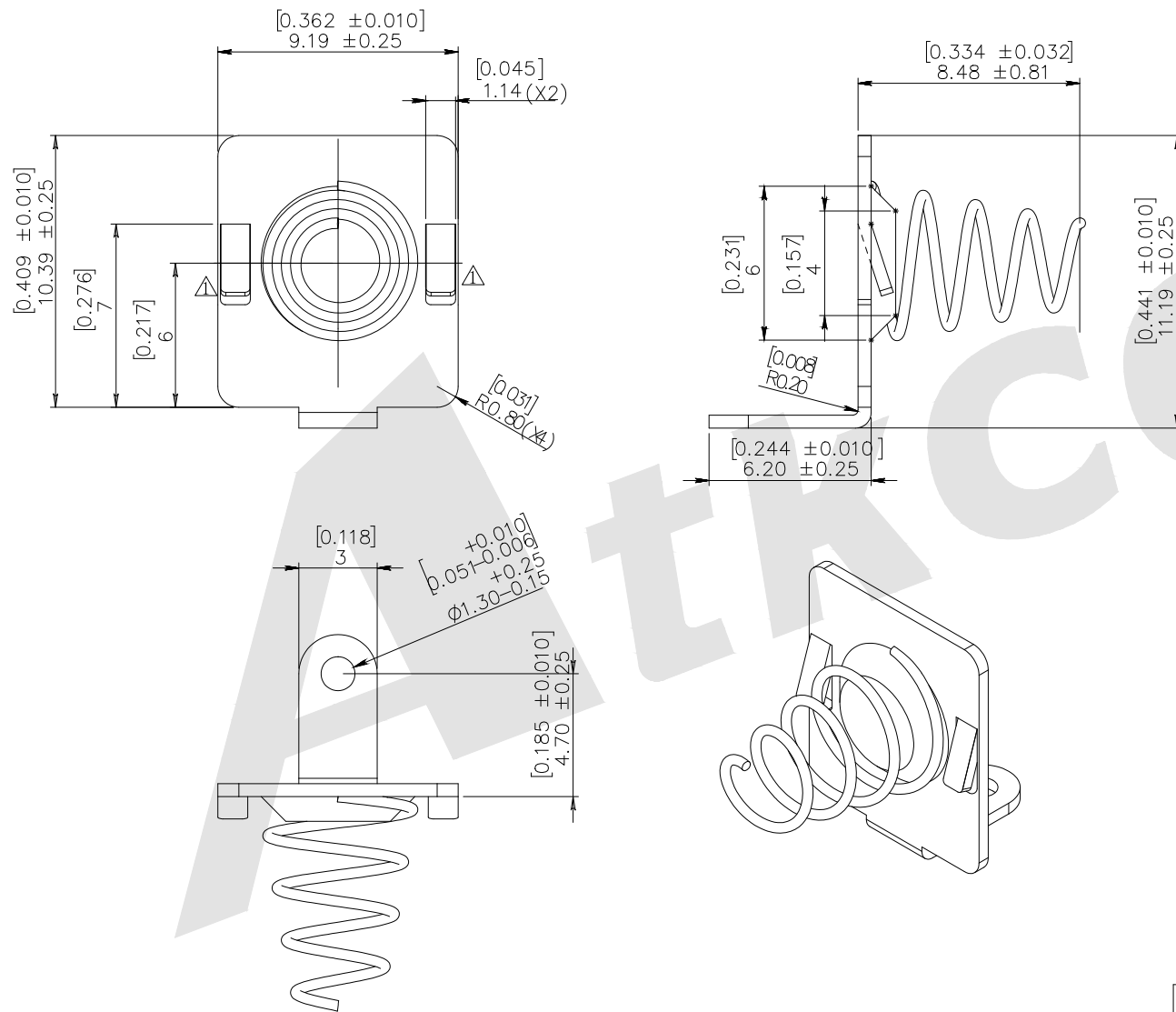




MATERIAL .020(0.50mm) THK STEEL .



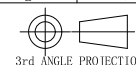
Order code:

BS - S - SN - R - L5204XR
 ① ② ③ ④ ⑤

- BS: Battery contacts
 Appearance for the product
 M: SMT TYPE
 S: 180 TYPE
 R: 90 TYPE
- ③ Contact Plating
 SN: Tin
 G0: Gold flash
 G1: 3U" Gold
 G2: 5U" Gold
 G3: 10U" Gold
 G4: 15U" Gold
 G5: 30U" Gold
- ④ Packing method
 A: Tray packing
 R: Tape & reel packing
- ⑤ Product number
 CRL5204XR

Unless Otherwise specified tolerance
 X. ±0.35 X.XX: ±0.20
 X.X: ±0.25 X.XXX: ±0.15

SCALE: As Shown UNIT: mm
 DRAW ZLA DATE 21/07/2022
 CHECK BobYang DATE 21/07/2022



Atkconn® ATKCONN ELECTRONICS CO., LTD
[Http://www.atkconn.com](http://www.atkconn.com)

TITLE: Battery Contacts For L5204

DRAWING NO: BS-S-SN-R-L5204XR

PRODUCT NO: BS-S-SN-R-L5204XR

REV	DESCRIPTION	DATE
1		
2		
3		
4		
5		