

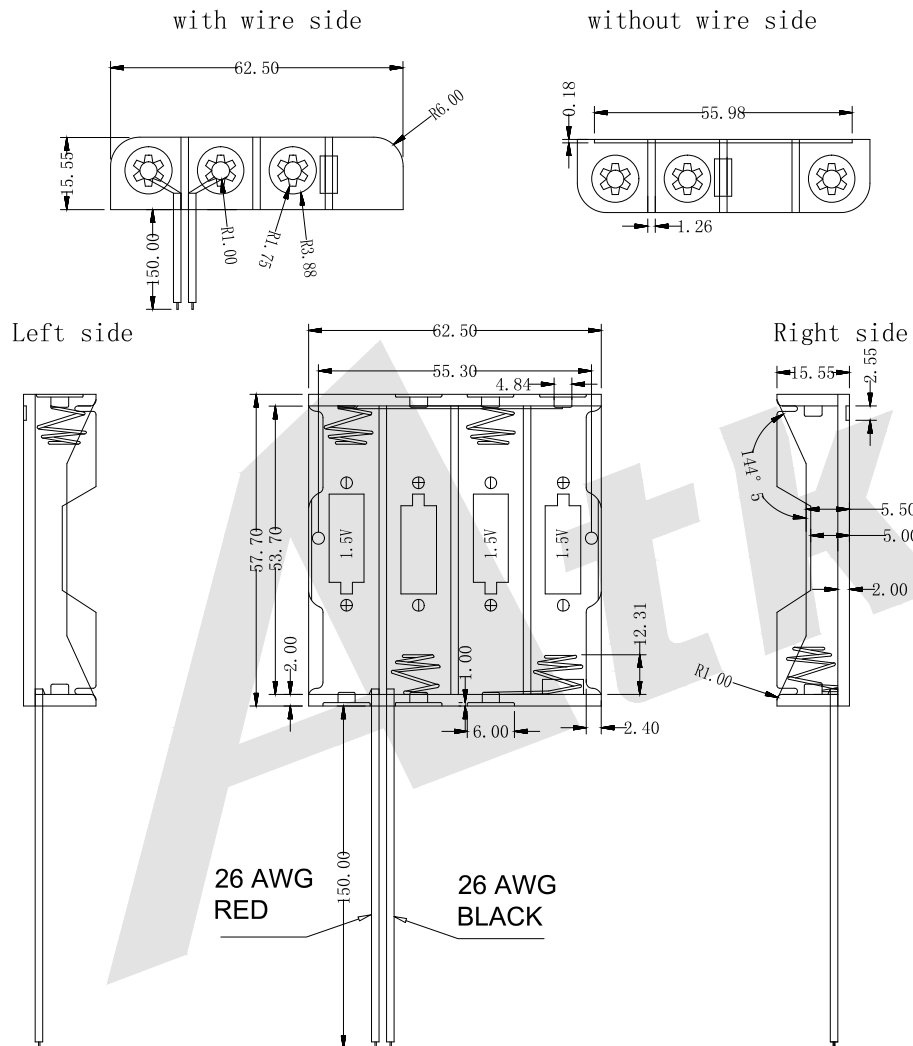


- 1. HOLDER MAT' L: POLYPROPYLENE  
SPRING MAT' L: MUSIC WIRE, (0.60) DIA.  
FINISH: NICKEL PLATE
- 2. WIRE SPEC: 1007 26# AWG UL/CSA,  
RED/BLACK, stripped with Tin plated

Ordering Code:

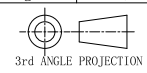
BBA - 5 - 4 - 150 - A  
① ② ③ ④ ⑤

- ① BBA: Battery Holders
- ② BATTERY TYPE  
5: AA SIZE  
7: AAA SIZE
- ③ BATTERY NUMBERS  
1: 1 piece  
2: 2 Pieces  
3: 3 pieces  
4: 4 pieces
- ④ Wire Length  
For example:  
150=150mm
- ⑤ Packing  
A: TRAY



Unless Otherwise specified tolerance  
X. ±0.35 X.XX: ±0.20  
X.X: ±0.25 X.XXX: ±0.15

SCALE: As Shown UNIT: mm  
DRAW: ZLA DATE: 21/07/2022  
CHECK: BobYang DATE: 21/07/2022



**Atkconn**® ATKCONN ELECTRONICS CO., LTD  
[Http://www.atkconn.com](http://www.atkconn.com)

TITLE: 4 PIECES AA Battery Holders

DRAWING NO: BBA-5-4-150-A

PRODUCT NO: BBA-5-4-150-A

REV	DESCRIPTION	DATE
1		