

RECOMENDED PCB LAYOUT
TOLERANCE:±0.05

ORDERING CODE:

ATK-SMC04 XX XX X X

Series NO.
1.27 SMC Female Connector
Vertical SMT Type
CONTACT POSITION
See DIM-TABLE.

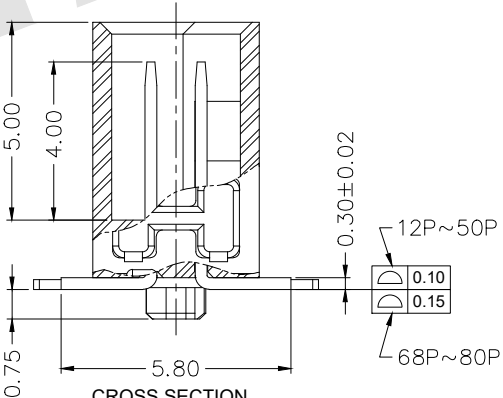
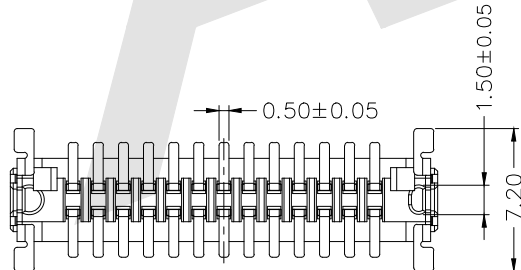
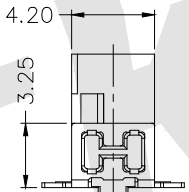
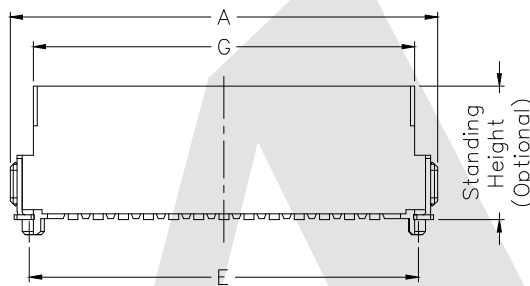
Packing Standing Height:

A:Tray A: 6.75
B:Bag B: 8.25
T:Tube C: 9.85

U:Tube+CAP
R:Tape&Reel
W:Tape&Reel+CAP

Contact Plating:

G0:Gold flash S0:Selective
G1:3u" Gold S1:Selective 3u"
G2:5u" Gold S2:Selective 5u"
G3:10u" Gold S3:Selective 10u"
G4:15u" Gold S4:Selective 15u"
G5:30u" Gold S5:Selective 30u"
SN:Tin



CROSS SECTION
SCALE 2/1

DIM-TABLE

PIN NO.	DIM A	DIM B	DIM C	DIM D	DIM E	DIM F	DIM G
12	12.70	8.57	6.35	9.57	10.77	11.34	10.37
16	15.24	11.11	8.89	12.11	13.31	13.88	12.91
20	17.78	13.65	11.43	14.65	15.85	16.42	15.45
24	20.32	16.19	13.97	17.19	18.39	18.96	17.99
26	21.59	17.46	15.24	18.46	19.66	20.23	19.26
30	24.13	20.00	17.78	21.00	22.20	22.77	21.80
32	25.40	21.27	19.05	22.27	23.47	24.04	23.07
40	30.48	26.35	24.13	27.35	28.55	29.12	28.15
50	36.83	32.70	30.48	33.70	34.90	35.47	34.50
68	48.26	44.13	41.91	45.13	46.33	46.90	45.93
80	55.88	51.75	49.53	52.75	53.95	54.52	53.55

Unless Otherwise specified tolerance
X. ±0.35 X.XX:±0.20
X.X:±0.25 X.XXX:±0.15

SCALE: As Shown UNIT: mm
DRAW ZLA DATE 24/10/2022
CHECK BobYang DATE 24/10/2022
VER. A0
3rd ANGLE PROJECTION

Atkconn® ATKCONN ELECTRONICS CO., LTD
[Http://www.atkconn.com](http://www.atkconn.com)

TITLE:
1.27 SMC Male Connector Vertical SMT Type

DRAWING NO: ATK-SMC04XXXXXX
PRODUCT NO: ATK-SMC04XXXXXX

REV	DESCRIPTION	DATE
1		
2		
3		
4		
5		