



NOTE:

Type: Surface Mounted Device
 Base Material: Nylon Resin, Black Color
 Contacts: 0.35 Phosphor Bronze Flash Gold
 Flammability Rating: UL 94 V-0
 Dielectric Strength: 560 Volts/Mil, at 25°C
 For 5 Sec

BT - M - GO - R - 18650-3

① ② ③ ④ ⑤

① BT: Coin Cell Holders

② Appearance For The Product

M: SMT TYPE S: 180 TYPE R: 90 TYPE

③ Contact Plating

SI: NICKEL Plated G2: 5U" Gold

SN: Tin G3: 10U" Gold

G0: Gold Flash G4: 15U" Gold

G1: 3U" Gold G5: 30U" Gold

④ Packing Method

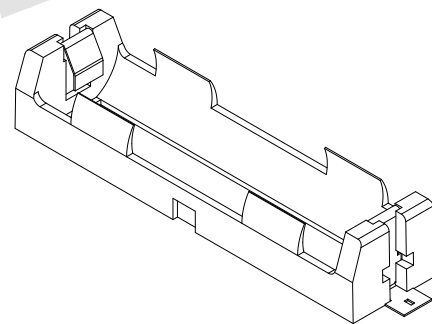
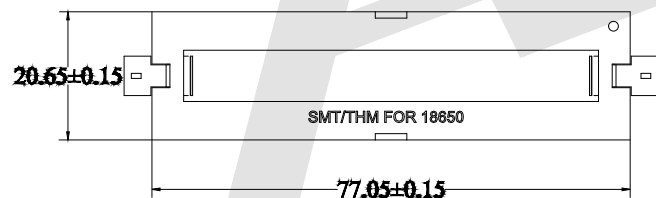
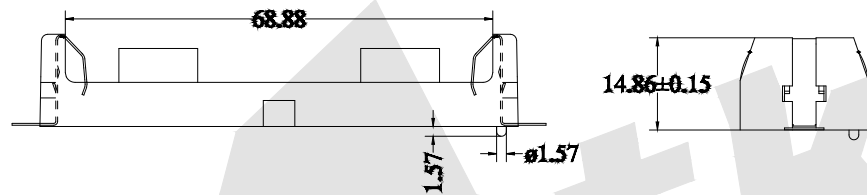
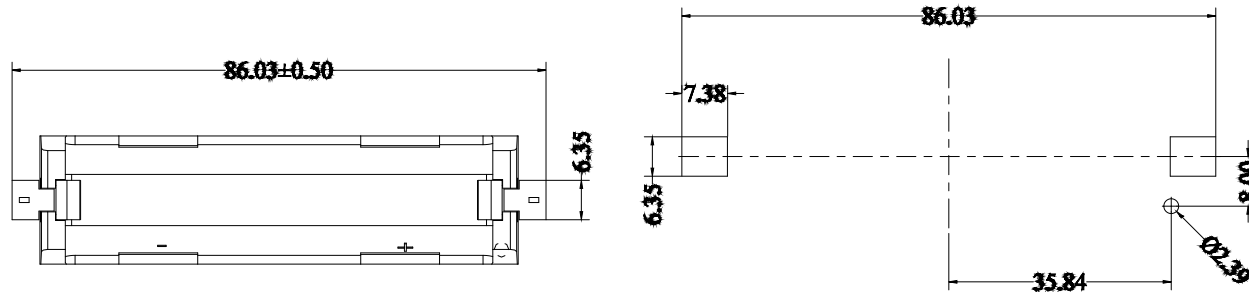
A: Tray Packing

R: Tape & Reel Packing

⑤ Product Number

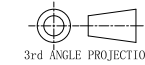
18650-3

PCB LAYOUT



Unless Otherwise specified tolerance
 X. ±0.35 X. XX: ±0.20
 X. X: ±0.25 X. XXX: ±0.15

SCALE: As Shown UNIT: mm
 DRAW ZLA DATE 21/07/2022
 CHECK BobYang DATE 21/07/2022



Atkconn® ATKCONN ELECTRONICS CO., LTD
[Http://www.atkconn.com](http://www.atkconn.com)

TITLE: Coin Cell Holders SMT For 18650-3

DRAWING NO: BT-M-GO-R-18650-3

PRODUCT NO: BT-M-GO-R-18650-3

REV	DESCRIPTION	DATE
1		
2		
3		
4		
5		