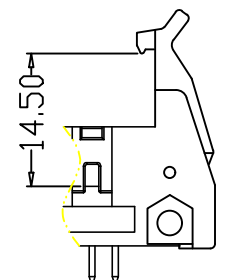
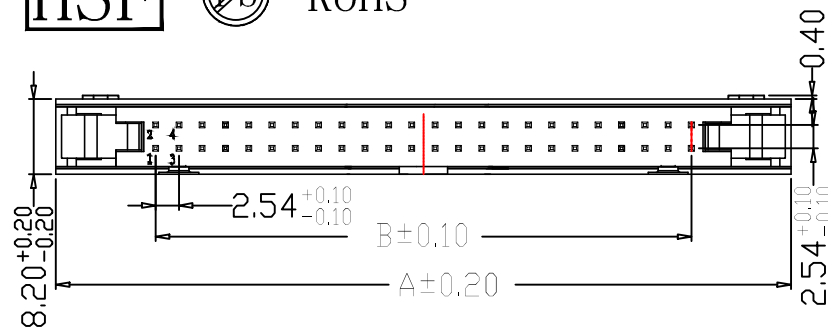


HSF



ROHS



Long Lever

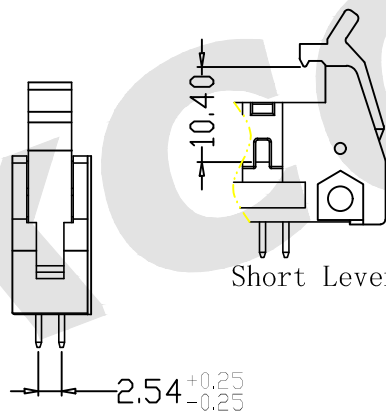
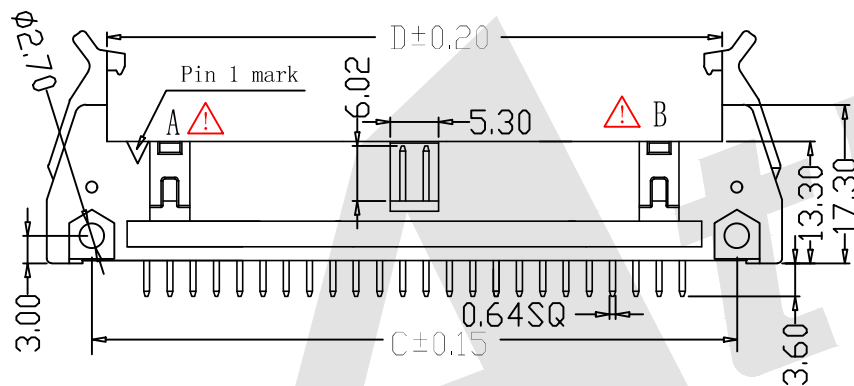
SPECIFICATION

Current Rating: 3.0Amp
 Insulation Resistance: 1000MΩ min
 Contact Resistance: 20MΩ max
 Withstand Voltage: 1000V AC/DC
 Operating Temperature: -40° C to +105° C
 Contact Material: Brass
 Contact Plating: Au or Sn Over Ni
 Insulator Material: PBT or PA6T+30%GF UL 94V-0

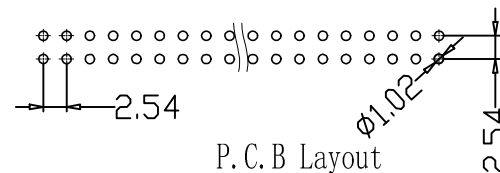
Ordering Code:

LHDS04 - X - X - X - X - X - X - X - X
 ① ② ③ ④ ⑤ ⑥ ⑦ ⑧

- ① Series No:
- ② No. of Contacts
 6 8 10 12
 14 16 18 20
 24 26 30 34
 40 50 60 64
- ③ Contact Plating:
 G0:Gold flash S0:Selective
 G1:3U" Gold S1:Selective 3u"
 G2:5u" Gold S2:Selective 5u"
 G3:10u" Gold S3:Selective 10u"
 G4:15u" Gold S4:Selective 15u"
 G5:30u" Gold S5:Selective 30u"
 SN:Tin
- ④ Color Insulator
 B:Black
 U:Blue
 G:Gray
- ⑤ Insulator Material
 A:PBT
 B:PA6T
 C:LCP
 D:PA46
 E:PA9T
- ⑥ Packing
 A:Tray
 B:Bag
 T:Tube
 U:Tube+CAP
 R:Tape&Reel
 W:Tape&Reel+CAP
- A:Short Latch
 B:Long Latch
 C:Without Latch



Short Lever



P.C.B Layout

Position	A	B	C	D
06	26.86	5.08	16.76	12.76
08	29.40	7.62	19.30	15.30
10	31.94	10.16	21.84	17.84
14	37.02	15.24	26.92	22.96
16	39.56	17.78	29.46	25.46
20	44.64	22.86	34.54	30.54
26	52.26	30.48	42.16	38.16

Position	A	B	C	D
30	57.34	35.56	47.24	43.24
34	62.42	40.64	52.32	48.32
40	70.04	48.26	59.94	55.94
50	82.74	60.96	72.64	68.64
60	95.44	73.66	85.34	81.34
64	100.52	78.74	90.42	86.42

10P-18P Without Slot "B" and "A"
 20P-58P With Slot "B", Without Slot "A",
 60P-64P With Slot "B" and "A"

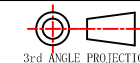
Unless Otherwise specified tolerance
 X. ±0.35 X.XX: ±0.20
 X.X: ±0.25 X.XXX: ±0.15

Atkconn® ATKCONN ELECTRONICS CO., LTD
[Http://www.atkconn.com](http://www.atkconn.com)

SCALE: As Shown UNIT: mm
 DRAW ZLA DATE 24/04/2022
 CHECK BobYang DATE 24/04/2022

TITLE: 2.54mm Ejector Header
 Straight DIP Type With Lever

DRAWING NO: LHDS04-XXXXXXX
 PRODUCT NO: LHDS04-XXXXXXX



REV	DESCRIPTION	DATE