



# SPECIFICATION

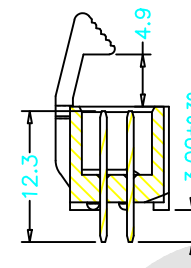
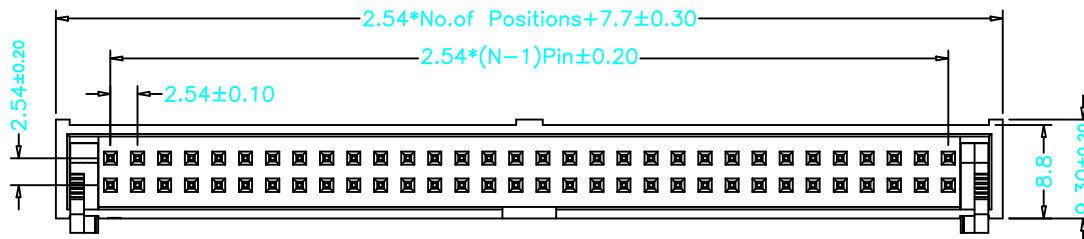
Current Rating: 3.0Amp  
 Voltage Rating: 350V  
 Insulation Resistance: 1000MΩ min  
 Contact Resistance: 20MΩ max  
 Withstand Voltage: 1000V AC/DC  
 Operating Temperature: -40°C to +105°C  
 Contact Material: Brass  
 Contact Plating: Au or Sn Over Ni  
 Latch plating: Ni  
 Insulator Material: PBT or PA6T+30%GF UL 94V-0

Above 26 Poles With "E" Profile

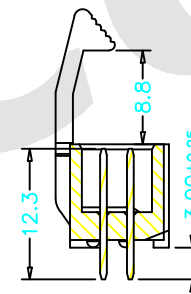
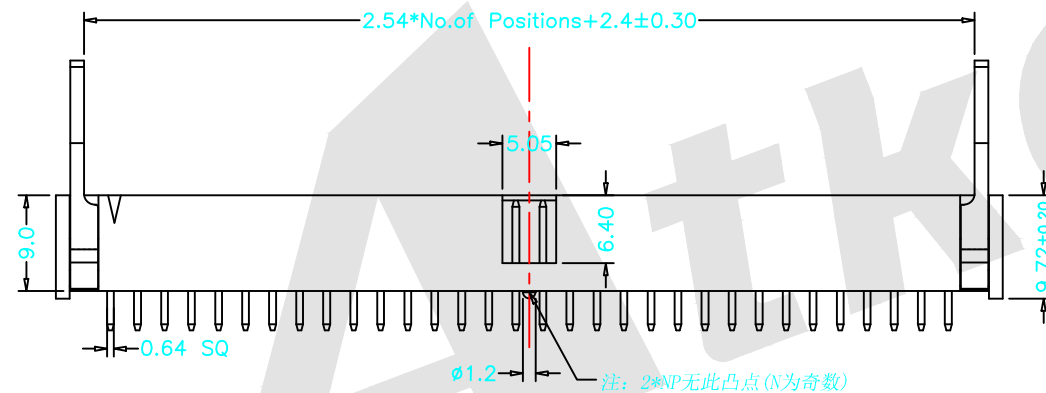
### Ordering Code:

LHDS02 - X - X - X - X - X - X  
 ① ② ③ ④ ⑤ ⑥ ⑦

- ① Series No:
- ② No. of Contacts  
06 08 10 12  
14 16 18 20  
24 26 30 34  
40 50 60 64
- ③ Contact Plating:  
G0: Gold flash S0: Selective  
G1: 3u" Gold S1: Selective 3u"  
G2: 5u" Gold S2: Selective 5u"  
G3: 10u" Gold S3: Selective 10u"  
G4: 15u" Gold S4: Selective 15u"  
G5: 30u" Gold S5: Selective 30u"  
SN: Tin
- ④ Color Insulator  
B: Black  
U: Blue  
G: Gray
- ⑤ Insulator Material  
A: PBT  
B: PA6T  
C: LCP  
D: PA46  
E: PA9T
- ⑥ Packing  
A: Tray  
B: Bag  
T: Tube  
U: Tube+CAP  
R: Tape&Reel  
W: Tape&Reel+CAP
- ⑦ A: Short Latch  
B: Long Latch



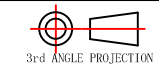
A: Short Latch



B: Long Latch

Unless Otherwise specified tolerance  
 X. ±0.35 X.XX: ±0.20  
 X.X: ±0.25 X.XXX: ±0.15

SCALE: As Shown UNIT: mm  
 DRAW ZLA DATE 24/04/2022  
 CHECK BobYang DATE 24/04/2022



**Atkconn**® ATKCONN ELECTRONICS CO., LTD  
[Http://www.atkconn.com](http://www.atkconn.com)

TITLE: 2.54mm Ejector Header 180° Metal Latch

DRAWING NO: LHDS02-XXXXXX  
 PRODUCT NO: LHDS02-XXXXXX

REV	DESCRIPTION	DATE