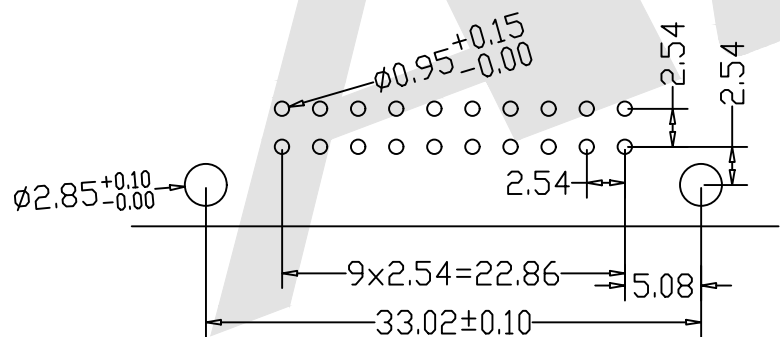
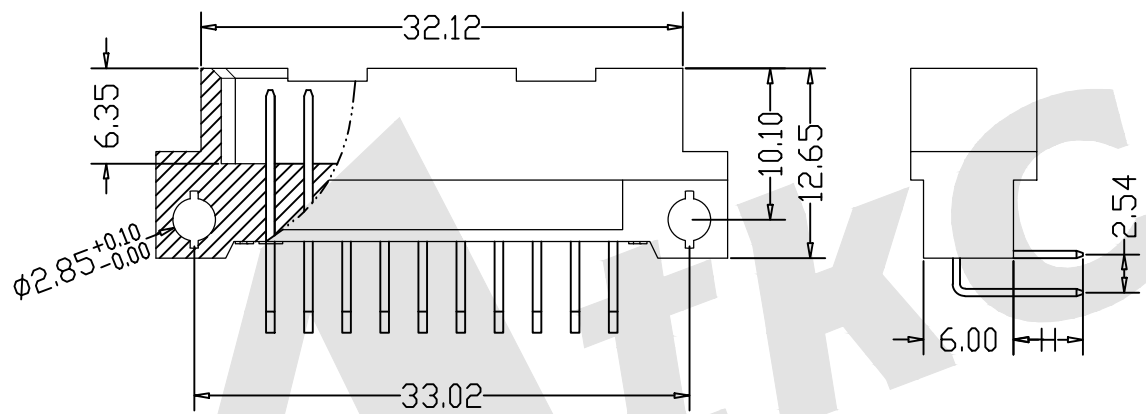
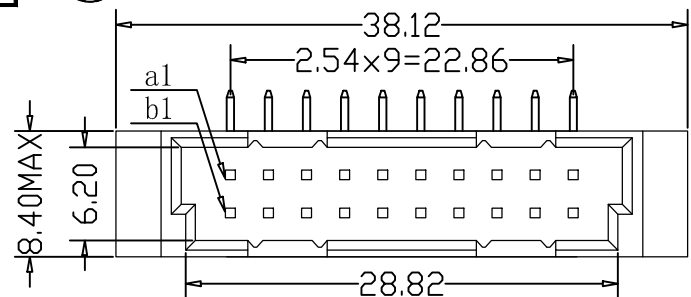


HSF



ROHS



Recommended P. C. B. Layout

SPECIFICATION

Current Rating: 2.0Amp  
 Insulation Resistance: 1000MΩ min.at DC 100V  
 Contact Resistance: 20mΩ max  
 Withstand Voltage: AC 1000V For 1 Minute  
 Operating Temperature: -55° C to +105° C  
 Contact Material: Brass  
 Contact Plating: Au or Sn Over Ni  
 Insulator Material: PBT+30%GF UL 94V-0  
 Insertion Force: 20 pin max.18N  
 Withdrawal Force: 0.15N min.per individual contact

Ordering Code:

DMR - XX - X - X - X -213

① ② ③ ④ ⑤ ⑥

- ① Series No:
- ② No. of Contacts  
20p 10p
- ③ Termination  
B:Right tail length H=3.0mm  
F:Right tail length H=4.4mm  
M:Right tail length H=13.0mm
- ④ Rows Loaded With Contacts  
A:Row a+b C:Row a  
C1:Row a+b(2, 4, 6...)
- ⑤ Contact Plating  
G0: Gold flash  
S0: Gold Flash/Ni  
G1: 3u" Gold  
S1: 3u" Gold/Ni  
G2: 5u" Gold  
S2: 5u" Gold/Ni  
G3: 10u" Gold  
S3: 10u" Gold/Ni  
G4: 15u" Gold  
S4: 15u" Gold/Ni  
G5: 30u" Gold  
S5: 30u" Gold/Ni  
SN: Tin
- ⑥ Series number  
213

| Code | Number Of Contacts | Contact Arrangement | Rows With Contacts | Pitch |
|------|--------------------|---------------------|--------------------|-------|
| A    | 20                 | a b                 | a b                | 2.54  |
| C    | 10                 | a b                 | a-                 | 2.54  |
| C1   | 10                 | a b                 | a b                | 5.08  |

Unless Otherwise specified tolerance  
 X. ±0.35 X.XX: ±0.20  
 X.X: ±0.25 X.XXX: ±0.15

SCALE: As Shown UNIT: mm  
 DRAW ZLA DATE 24/04/2022  
 CHECK BobYang DATE 24/04/2022



**Atkconn**® ATKCONN ELECTRONICS CO.,LTD  
 Http://www.atkconn.com

TITLE: DIN41612 Right Angle Plug Type 1/3B  
 Connectors 20 Positions

DRAWING NO: DMR-XX-XXX-213

PRODUCT NO: DMR-XX-XXX-213

| REV | DESCRIPTION | DATE |
|-----|-------------|------|
|     |             |      |
|     |             |      |
|     |             |      |