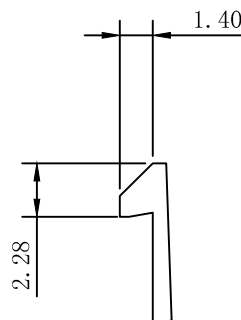
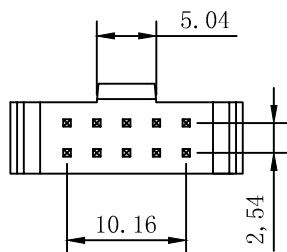
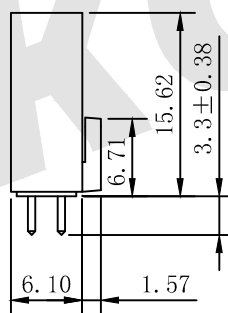
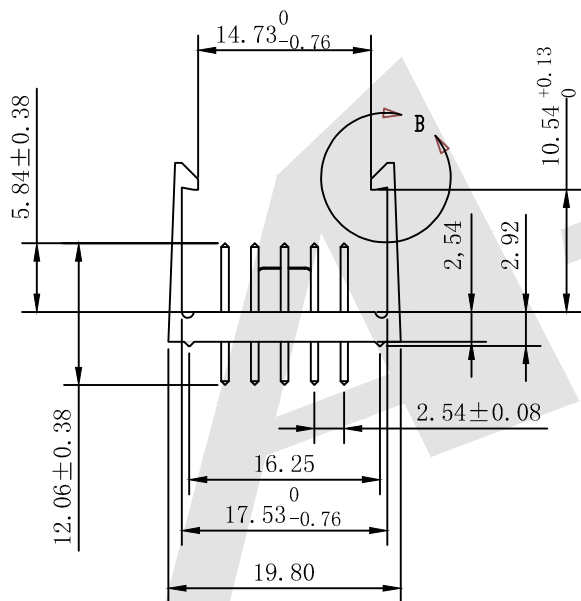


HSF



DETAIL B
SCALE 4:1



NOTES:

- 1) INSULATOR:GLASS FILLED NYLON;UL 94V-0.
- 2) CONTACT:COPPER ALLOY.
- 3)PLATING:
-15 MICROINCH GOLD ON MATING AREA.
-100 MICROINCH SOLDER ON PCB TAIL.
-50 MICROINCH NICKEL UNDERPLATE.
- 4)COLOR:BLACK.

Ordering Code:

LHDS06 - X - X - X - X - X
① ② ③ ④ ⑤ ⑥

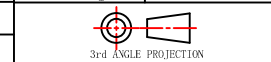
- ① Series No:
06 08 10 12
14 16 18 20
24 26 30 34
40 50 60 64
- ② No. of Contacts
- ③ Contact Plating:
G0:Gold flash S0:Selective
G1:3u" Gold S1:Selective 3u"
G2:5u" Gold S2:Selective 5u"
G3:10u" Gold S3:Selective 10u"
G4:15u" Gold S4:Selective 15u"
G5:30u" Gold S5:Selective 30u"
SN:Tin
- ④ Color Insulator
B:Black
U:Blue
G:Gray
- ⑤ Insulator Material
A:PBT
B:PA6T
C:LCP
D:PA46
E:PA9T
- ⑥ Packing
A:Tray
B:Bag
T:Tube
U:Tube+CAP
R:Tape&Reel
W:Tape&Reel+CAP

Unless Otherwise specified tolerance
X. ±0.35 X.XX: ±0.20
X.X: ±0.25 X.XXX: ±0.15

Atkonn © ATKCONN ELECTRONICS CO., LTD
Http://www.atkonn.com

SCALE: As Shown	UNIT: mm
DRAW ZLA	DATE 24/04/2022
CHECK BobYang	DATE 24/04/2022

TITLE:
2.54mm Latch header 2X5P, Straight type
Dip=3.3mm



DRAWING NO: LHDS06-X-X-X-X
PRODUCT NO: LHDS06-X-X-X-X

REV	DESCRIPTION	DATE