



SPECIFICATION

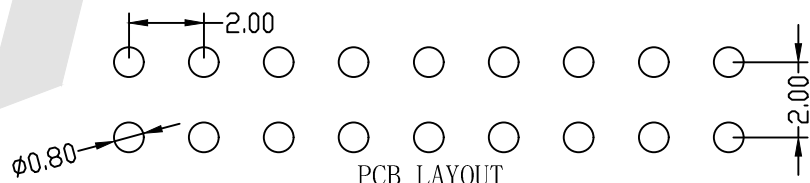
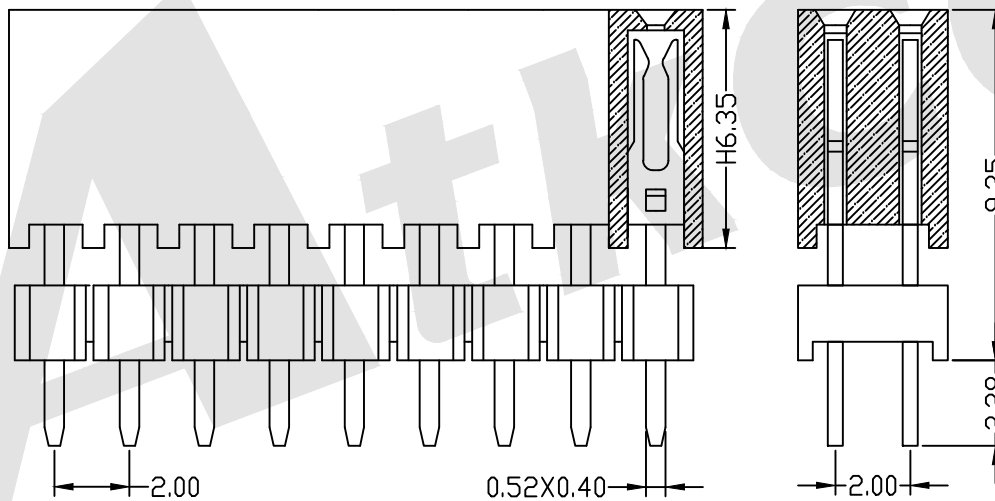
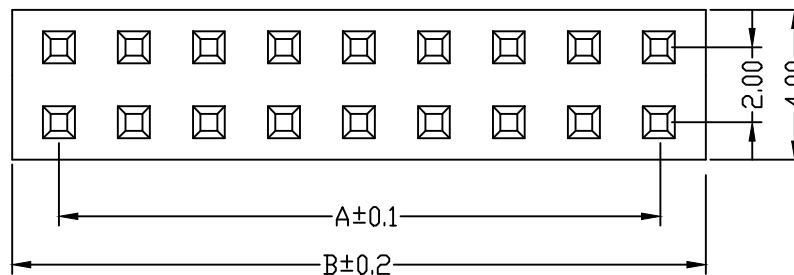
Current Rating: 1.5Amp
 Insulation Resistance: 1000M ohms min
 Contact Resistance: 20M ohms max
 Dielectric Withstanding: AC500V
 Operating Temperature: -65°C to +125°C
 Contact Material: Brass
 Insulator Material: PA6T UL 94V-0 Black

Ordering Code:

FHDS13 - X - X - D - X - X - X
 ① ② ③ ④ ⑤ ⑥ ⑦

- ① Series No:
- ② No. of Contacts
02 To 80
- ③ Contact Plating:
G0:Gold flash S0:Selective
G1:3u" Gold S1:Selective 3u"
G2:5u" Gold S2:Selective 5u"
G3:10u" Gold S3:Selective 10u"
G4:15u" Gold S4:Selective 15u"
G5:30u" Gold S5:Selective 30u"
SN:Tin
- ④ Connector Type
D: Dual
- ⑤ Plastic High:
H:6.35
Please mark the desired length in the H
- ⑥ Insulator Material
B:PA6T
C:LCP
D:PA46
E:PA9T
- ⑦ Packing
A:Tray
B:Bag
T:Tube
U:Tube+CAP
R:Tape&Reel
W:Tape&Reel+CAP

contacts	DIMENSIONS	
NO	A	B
12	10.00	12.40
14	12.00	14.40
16	14.00	16.40
18	16.00	18.40
20	18.00	20.40
22	20.00	22.40
24	22.00	24.40
26	24.00	26.40
28	26.00	28.40
30	28.00	30.40
32	30.00	32.40
34	32.00	34.40
36	34.00	36.40
38	36.00	38.40
40	38.00	40.40
42	40.00	42.40
44	42.00	44.40
46	44.00	46.40
48	46.00	48.40
50	48.00	50.40
52	50.00	52.40
54	52.00	54.40
56	54.00	56.40
58	56.00	58.40
60	58.00	60.40

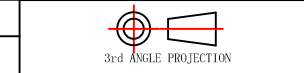


Unless Otherwise specified tolerance
 X. ±0.35 X.XX:±0.20
 X.X:±0.25 X.XXX:±0.15

Atkconn® ATKCONN ELECTRONICS CO., LTD
[Http://www.atkconn.com](http://www.atkconn.com)

SCALE: As Shown	UNIT: mm
DRAW ZLA	DATE 24/04/2022
CHECK BobYang	DATE 24/04/2022

TITLE:
2.00mm Female Header Dual Row
Straight Type(W=4.0 H=6.35)



DRAWING NO: FHDS13-XXDXXX
 PRODUCT NO: FHDS13-XXDXXX

REV	DESCRIPTION	DATE