

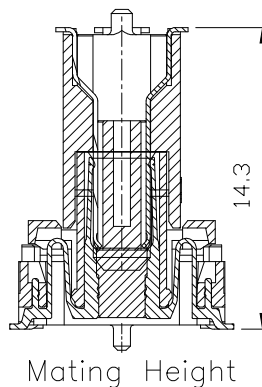
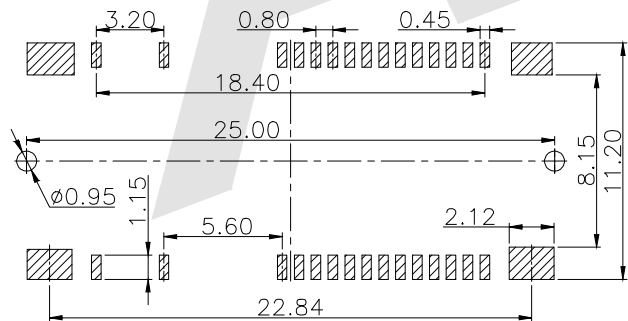
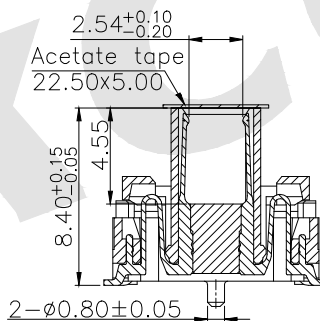
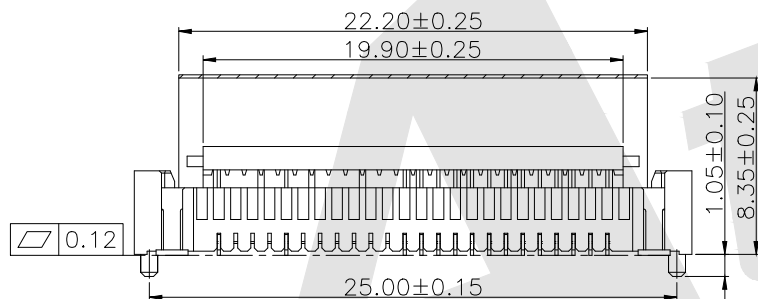
Specifications

Current Rating:0.5Amp  
 Insulation Resistance:500MΩ Min.  
 0.8PITCH Dielectric Withstanding Voltage:250VAC  
 3.2PITCH Dielectric Withstanding Voltage:300VAC  
 Contact Resistance:100mΩ Max.  
 Operating Temperature:-40° C to +105° C  
 Materials  
 Contact Material:Bronze  
 Insulator Material:High Temperature Thermoplastic,  
 UL 94V-0 LCP or The Equivalent Material  
 All Materials Must Meet GREENCONN Hazardous  
 Substances Control Standards.

Ordering Code:

BBF0.8 - F - X - X - X - X - 04  
 ① ② ③ ④ ⑤ ⑥ ⑦

- ① Series NO:  
0.5mm Board to  
Board Floating  
Connector
- ② M:Male F:Female
- ③ Mating Height:  
14.3=14.3mm
- ④ NO. of Contacts:  
See Table  
For Example  
20:20 Poles
- ⑤ Contact Plating  
G0: Gold Flash  
G1: 3u" Gold  
G2: 5u" Gold  
G3: 10u" Gold  
G4: 15u" Gold  
G5: 30u" Gold  
SN:Tin
- ⑥ Packing  
T:Tube A:Tray  
B:Bag U:Tube+CAP  
R:tape&Reel  
W:tape&Reel+CAP
- ⑦ Serial Number: 04



Recommended P.C.Board Layout (Tolerance:±0.05)

Unless Otherwise specified tolerance  
 X. ±0.35 X.XX:±0.20  
 X.X:±0.25 X.XXX:±0.15

**Atkconn**® ATKCONN ELECTRONICS CO., LTD  
[Http://www.atkconn.com](http://www.atkconn.com)

SCALE: As Shown	UNIT: mm
DRAW ZLA	DATE 24/10/2022
CHECK BobYang	DATE 24/10/2022
VER. A0	

TITLE:  
0.8MM Floating Board to Board Female Socket  
Connector With Post Mating Height 14.3MM

DRAWING NO: BBF0.8F-XXXX04

PRODUCT NO: BBF0.8F-XXXX04

REV	DESCRIPTION	DATE
1		
2		
3		
4		
5		