

HSF



ROHS

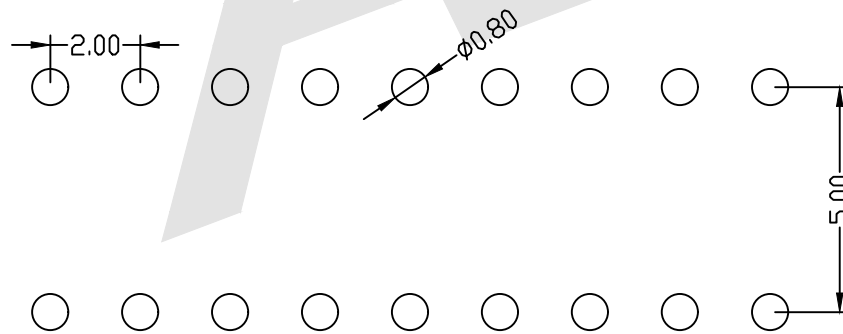
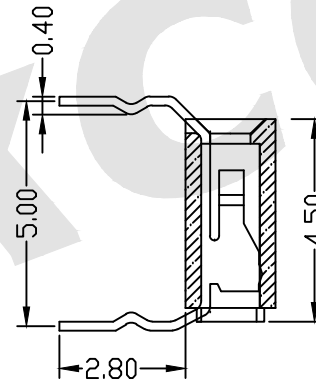
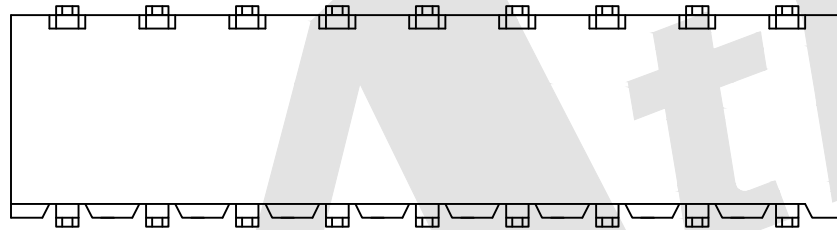
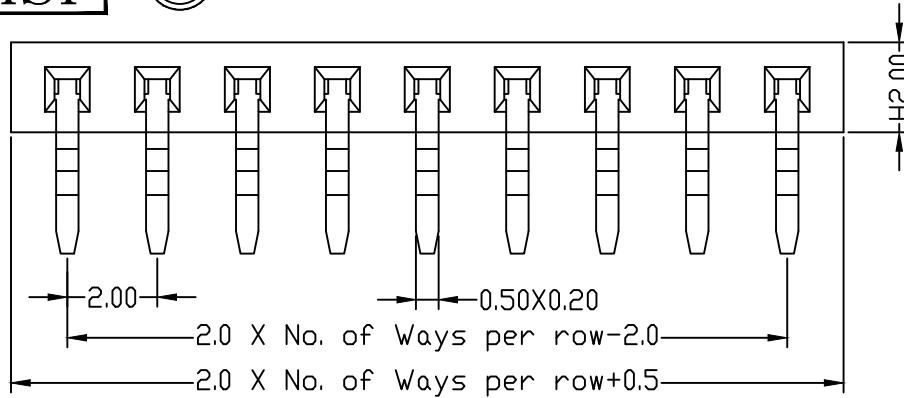
# SPECIFICATION

Current Rating: 1.5Amp  
 Insulation Resistance: 1000M ohms min  
 Contact Resistance: 20M ohms max  
 Dielectric Withstanding: AC500V  
 Operating Temperature: -65°C to +125°C  
 Contact Material: Brass  
 Insulator Material: PA6T UL 94V-0 Black

Ordering Code:

FHDR04 - X - X - S - X - X - X  
 ① ② ③ ④ ⑤ ⑥ ⑦

- ① Series No:
- ② No. of Contacts  
01 To 40
- ③ Contact Plating:  
G0:Gold flash S0:Selective  
G1:3U" Gold S1:Selective 3u"  
G2:5u" Gold S2:Selective 5u"  
G3:10u" Gold S3:Selective 10u"  
G4:15u" Gold S4:Selective 15u"  
G5:30u" Gold S5:Selective 30u"  
SN: Tin
- ④ Connector Type  
S: Single
- ⑤ Plastic High:  
H: 2.0  
Please mark the desired length in the H
- ⑥ Insulator Material  
B: PA6T  
C: LCP  
D: PA46  
E: PA9T
- ⑦ Packing  
A: Tray  
B: Bag  
T: Tube  
U: Tube+CAP  
R: Tape&Reel  
W: Tape&Reel+CAP



PCB LAYOUT

Unless Otherwise specified tolerance  
 X. XX: ±0.20  
 X. X: ±0.25 X. XXX: ±0.15  
 X. XX: ±0.35

**Atkconn**® ATKCONN ELECTRONICS CO., LTD  
[Http://www.atkconn.com](http://www.atkconn.com)

SCALE: As Shown	UNIT: mm
DRAW ZLA	DATE 24/04/2022
CHECK BobYang	DATE 24/04/2022

TITLE:  
2.00mm Female Header Single Row Angle  
Type Side Enter Kink Feet

DRAWING NO: FHDR04-XXSXXX  
 PRODUCT NO: FHDR04-XXSXXX



REV	DESCRIPTION	DATE