

MATERIAL:

0.008 (0.30) Pre-hardened and Nick Plated Heat Treat T0 Spring Temper

Order Code:

BS	S	SI	R	CR134A
①	②	③	④	⑤

① BS: Battery Clip

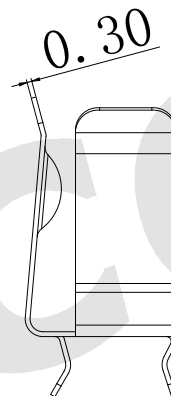
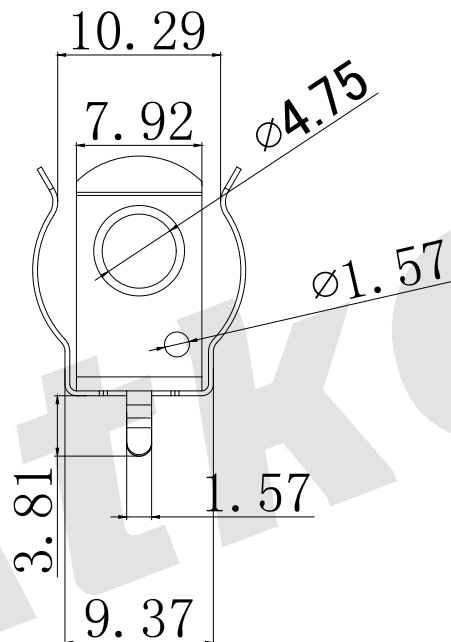
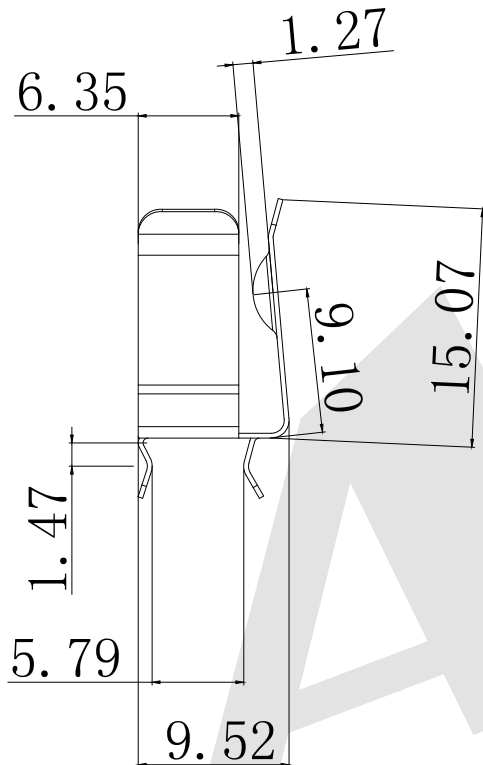
② Apperance For The Product
M:SMT TYPE
S:180 TYPE
R:90 TYPE

③ Contact Plating

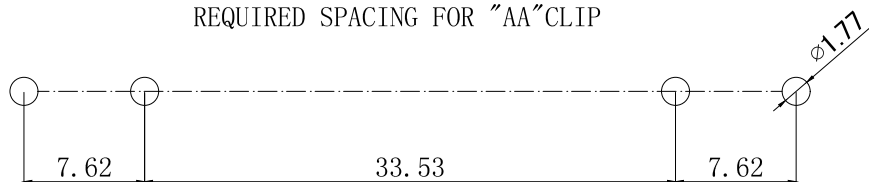
SN: Tin
G0: Gold flash
G1: 3U" Gold
G2: 5U" Gold
G3: 10U" Gold
G4: 15U" Gold
G5: 30U" Gold
SI: NICKEL Plated

④ Packing Method
A: Tray Packing
R: Tape & Reel Packing

⑤ Product Number:
CR134A

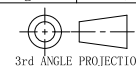


REQUIRED SPACING FOR "AA" CLIP



Unless Otherwise specified tolerance
X. ±0.35 X.XX: ±0.20
X.X: ±0.25 X.XXX: ±0.15

SCALE: As Shown	UNIT: mm
DRAW ZLA	DATE 21/07/2022
CHECK BobYang	DATE 21/07/2022



Atkconn® ATKCONN ELECTRONICS CO., LTD
[Http://www.atkconn.com](http://www.atkconn.com)

TITLE:
"A"&"AA" PC BATTERY CLIP For CR134A

DRAWING NO: BS-S-SI-R-CR134A

PRODUCT NO: BS-S-SI-R-CR134A

REV	DESCRIPTION	DATE
1		
2		
3		
4		
5		