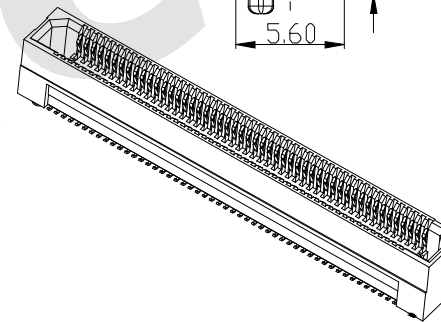
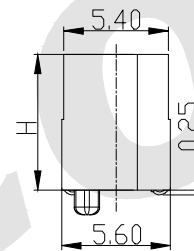
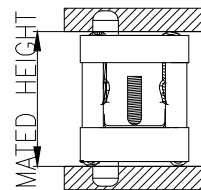


Recommended PC board pattern
(TOP VIEW)



Ordering Code:

BB0.8 - F - H - X - X - X - 03
① ② ③ ④ ⑤ ⑥ ⑦

- ① Series NO:
0.8mm Board to Board connector
- ② M:Male F:Female
- ③ BB0.8F Height:
H:5=5.10mm
H:7=7.00mm
H:9.0=9.00mm
- ④ NO. of Contacts:
See Table
For Example
24:24poles
- ⑤ Contact Plating
G0: Gold flash
G1: 3u" Gold
G2: 5u" Gold
G3: 10u" Gold
G4: 15u" Gold
G5: 30u" Gold
SN: Tin
- ⑥ Packing
T: Tube A: Tray
B: Bag U: Tube+CAP
R: tape&Reel
W: tape&Reel+CAP
- ⑦ serial number: 03

POSITION	A	B	C	D
10	10.00	8.32	3.20	6.80
20	14.00	12.32	7.20	10.80
22	14.80	13.12	8.00	11.60
24	15.60	13.92	8.80	12.40
26	16.40	14.72	9.60	13.20
30	18.00	16.32	11.20	14.80
40	22.00	20.32	15.20	18.80
50	26.00	24.32	19.20	22.80
60	30.00	28.32	23.20	26.80
80	38.00	36.32	31.20	34.80
100	46.00	44.32	39.20	42.80
120	54.00	52.32	47.20	50.80
140	62.00	60.32	55.20	58.80
150	66.00	64.32	59.20	62.80
200	86.00	84.32	79.20	82.00

BB0.8F LEAD STYLE	MATED HEIGHT			
	BB0.8M LEAD STYLE			
	2.00	5.00	8.00	9.00
5.00	7.00	10.00	13.00	14.00
7.00	9.00	12.00	15.00	16.00
9.00	11.00	14.00	17.00	18.00

Unless Otherwise specified tolerance
X. ±0.35 X.XX: ±0.20
X.X: ±0.25 X.XXX: ±0.15

SCALE: As Shown UNIT: mm
DRAW ZLA DATE 24/10/2022
CHECK BobYang DATE 24/10/2022
VER. A0
3rd ANGLE PROJECTION

Atkconn® ATKCONN ELECTRONICS CO., LTD
Http://www.atkconn.com

TITLE:
0.8mm Board to Board Connector Female Socket

DRAWING NO: BB0.8F-HXXX03

PRODUCT NO: BB0.8F-HXXX03

REV	DESCRIPTION	DATE