



NOTE:

Base Material:ABS , UL94-0 Black
 Wire:UL1007 AWG #26, UL/CSA BLACK&RED
 Spring: Carbon Steel ,Nickel Plated
 Rivets:H650 BRASS, NICKEL PLATED
 RoHS COMPLIANT

Ordering Code:

BBA - 5 - 8 - 150 - A

① ② ③ ④ ⑤

① BBA: Battery Holders

② BATTERY TYPE

5: AA SIZE

7: AAA SIZE

③ BATTERY NUMBERS

1: 1 piece

2: 2 Pieces

3: 3 pieces

4: 4 pieces

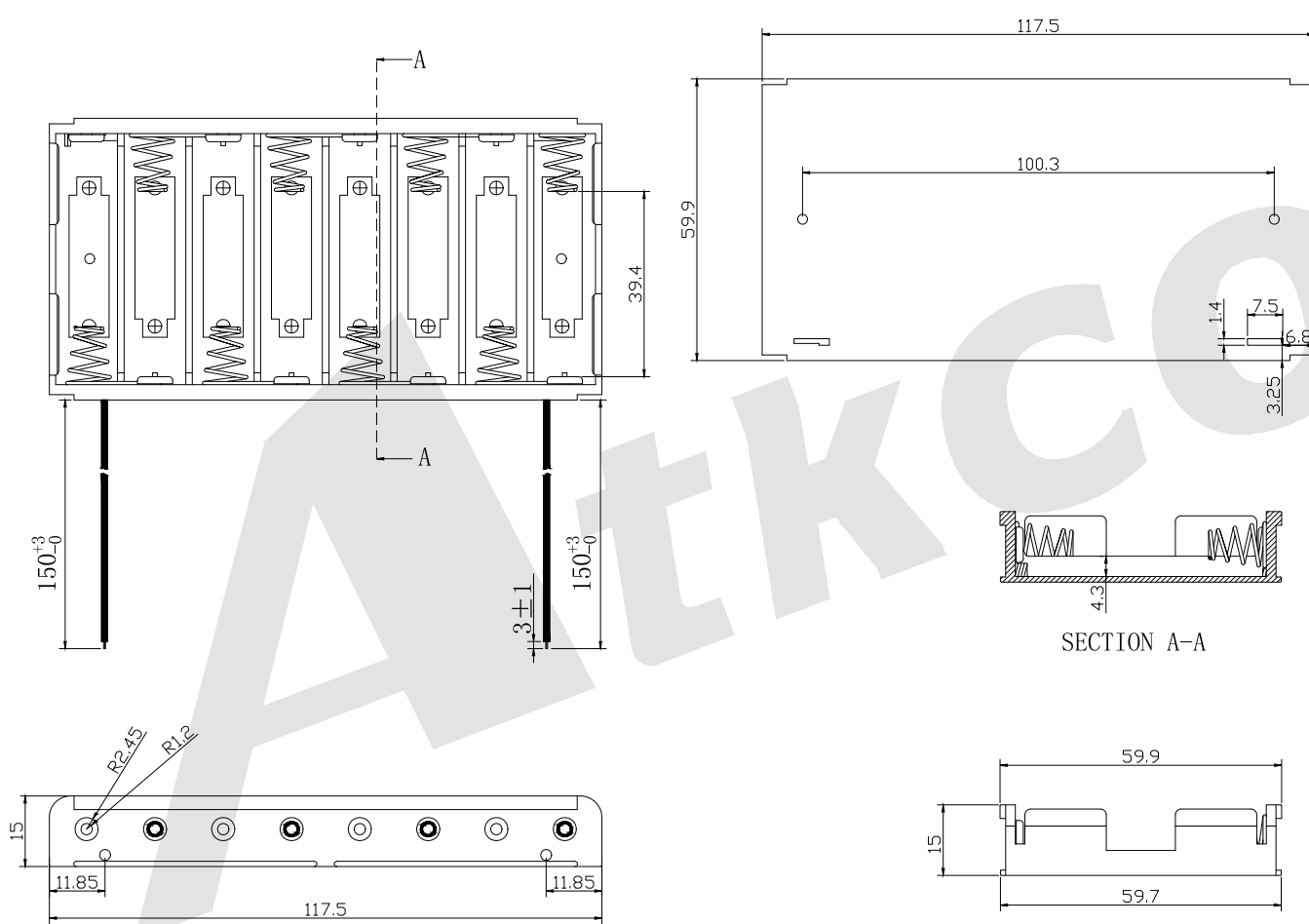
5: 5 pieces

6: 6 pieces

7: 7 pieces

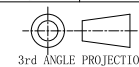
8: 8 pieces

④ Wire Length
 For example:
 150=150mm
 ⑤ Packing
 A:TRAY



Unless Otherwise specified tolerance
 X. ±0.35 X.XX: ±0.20
 X.X: ±0.25 X.XXX: ±0.15

SCALE: As Shown UNIT: mm
 DRAW: ZLA DATE: 21/07/2022
 CHECK: BobYang DATE: 21/07/2022



Atkconn® ATKCONN ELECTRONICS CO., LTD
[Http://www.atkconn.com](http://www.atkconn.com)

TITLE: 8 PIECES AA Battery Holders

DRAWING NO: BBB-5-8-150-A

PRODUCT NO: BBB-5-8-150-A

| REV | DESCRIPTION | DATE |
|-----|-------------|------|
| 1 | | |
| 2 | | |
| 3 | | |
| 4 | | |
| 5 | | |