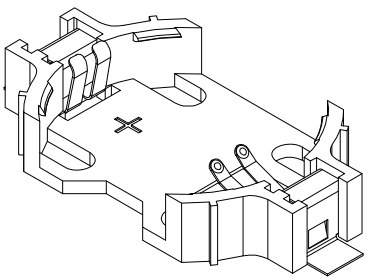
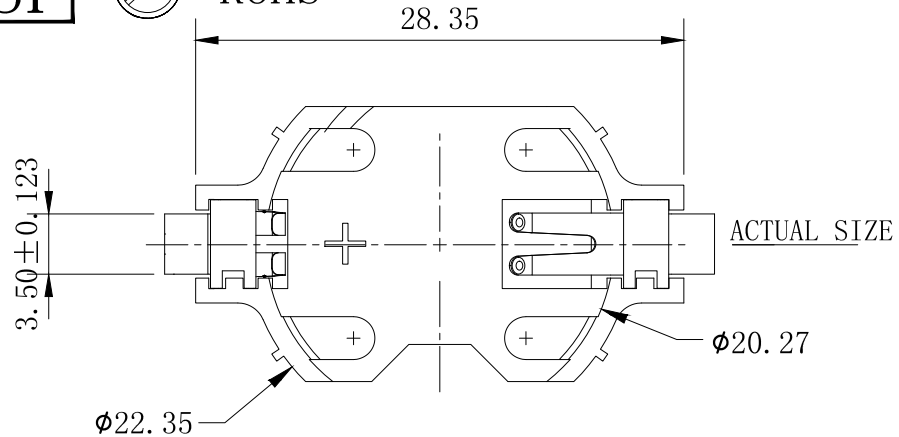


HSF



RoHS



NOTES:

1. BASE:

MAT' L-LCP 30% GLASS FILLED
UL94V-0

2. CONTACTS:

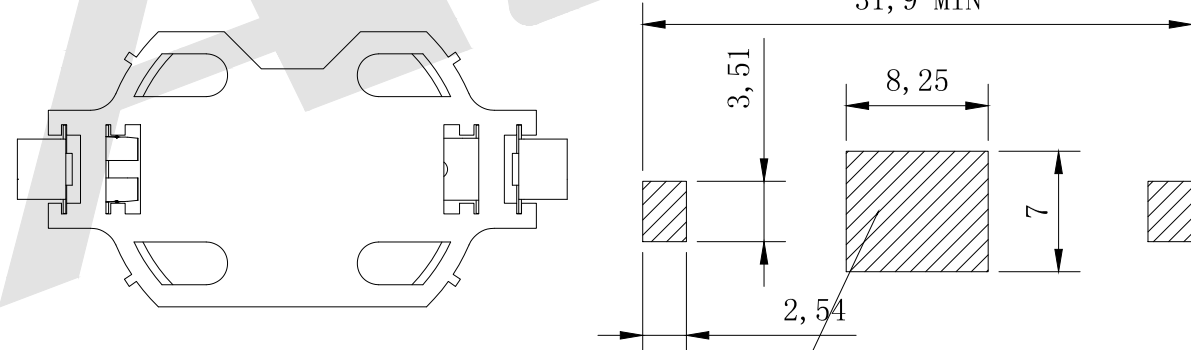
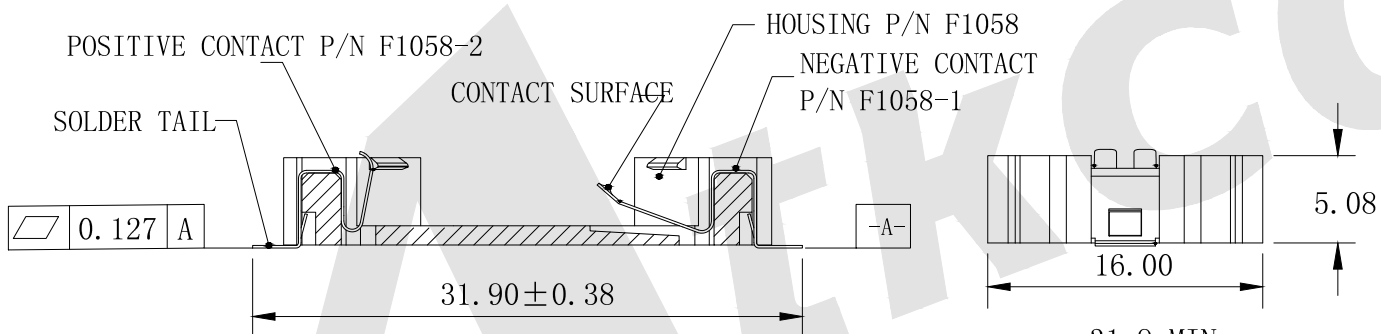
MAT' L-0.152 TH' K PHOSPHOR BRONZE
FINISH:GOLD FLASH 0.0000762 OVER
0.00127-0.00254 NICKEL
ON CONTACT SURFACE AND SOLDER TALL
BALANCE OF PART 0.0000254 MIN. GOLD,
OVER NICKEL PLATE

Order code:

BT — M — G0 — R — CR1058B
① ② ③ ④ ⑤

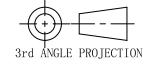
- ① BT:Coin Cell Holders
- ② Apperance for the product
- M:SMT TYPE
- S:180 TYPE
- R:90 TYPE
- ③ Contact Plating
- SI: NICKEL Plated
- SN: Tin
- G0:Gold flash
- G1: 3U" Gold
- G2: 5U" Gold
- G3:10U" Gold
- G4:15U" Gold
- G5:30U" Gold

- ④ Packing method
- A: Tray packing
- R: Tape & reel packing
- ⑤ Product number
- CR1058B



Unless Otherwise specified tolerance
X. ±0.35 X.XX: ±0.20
X.X: ±0.25 X.XXX: ±0.15

SCALE: As Shown UNIT: mm
DRAW ZLA DATE 21/07/2022
CHECK BobYang DATE 21/07/2022



Atkconn® ATKCONN ELECTRONICS CO., LTD
[Http://www.atkconn.com](http://www.atkconn.com)

TITLE: Coin Cell Holders For CR2032

DRAWING NO: BT-M-G0-R-CR1058B

PRODUCT NO: BT-M-G0-R-CR1058B

REV	DESCRIPTION	DATE
1		
2		
3		
4		
5		

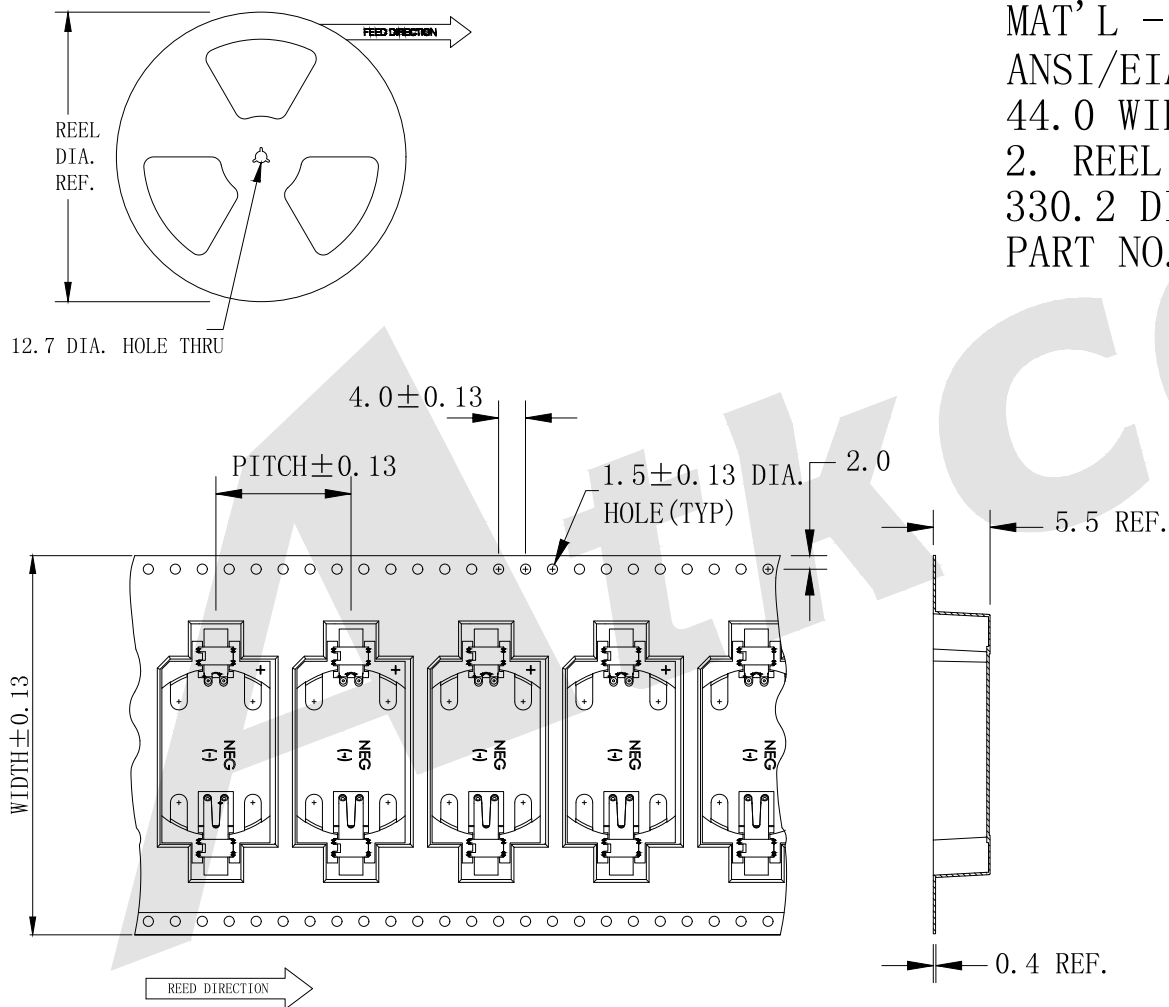
HSF



ROHS

NOTES:
TAPE AND REEL SPECIFICATIONS:

1. TAPE:
MAT'L - ALL CONDUCTIVE POLYSTYRENE CARRIER
ANSI/EIA-481 STANDARD
44.0 WIDE; 20 PITCH
2. REEL:
330.2 DIA. 500 PIECES OF
PART NO. 1058 PER REEL.



Unless Otherwise specified tolerance
 X. ± 0.35 X. XX: ± 0.20
 X. X: ± 0.25 X. XXX: ± 0.15

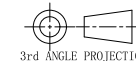
Atkconn® ATKCONN ELECTRONICS CO., LTD
[Http://www.atkconn.com](http://www.atkconn.com)

SCALE: As Shown	UNIT: mm
DRAW ZLA	DATE 21/07/2022
CHECK BobYang	DATE 21/07/2022

TITLE:
1058 SM COIN CELL HOL . DER ON TAPE

DRAWING NO: BT-M-GO-R-CR1058A

PRODUCT NO: BT-M-GO-R-CR1058A



REV	DESCRIPTION	DATE
1		
2		
3		
4		
5		