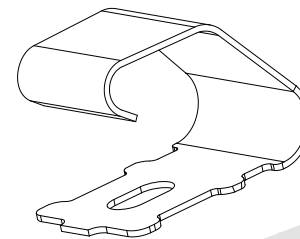


COMONENT SETAIL



1. Material: Titanium Copper T= 0.10mm
2. Contact Area: Au 0.8u " ; Gold Plating in Other Areas; Nickel Base 30U "min;
3. Salt Spray 24H
4. Recommended Working Height=2.30mm/min Force=1.2N
5. Recommended Minimum Working Height=1.90mm

ELECTRICAL:

Current Rating:6A

MECHANICAL:

Durability:2000 Cycles

Environmental:

Operating Tempertupe:-55° C TO +125° C.

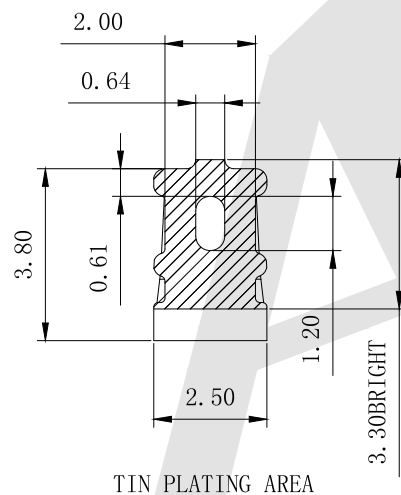
Ordering Code:

S7091 - 42R - X

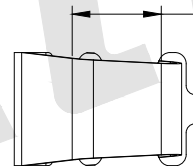
PACKING:

B:Bag

T:Tape & Reel

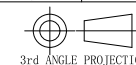


2.0 CONTACT AREA



Unless Otherwise specified tolerance
 X. ±0.35 X.XX: ±0.20
 X.X: ±0.25 X.XXX: ±0.15

SCALE: As Shown	UNIT: mm
DRAW ZLA	DATE 21/07/2022
CHECK BobYang	DATE 21/07/2022



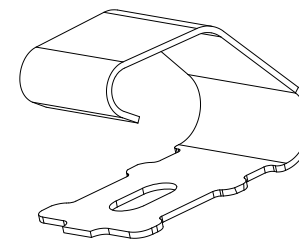
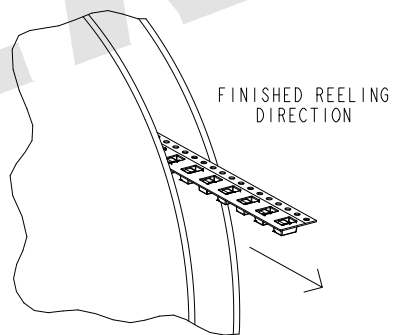
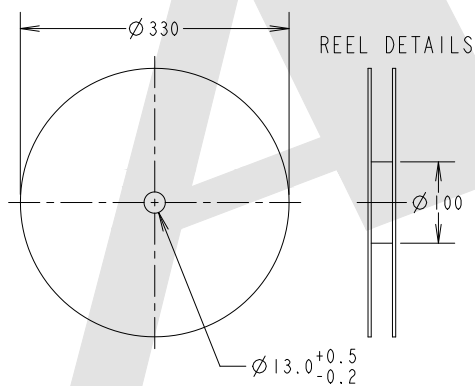
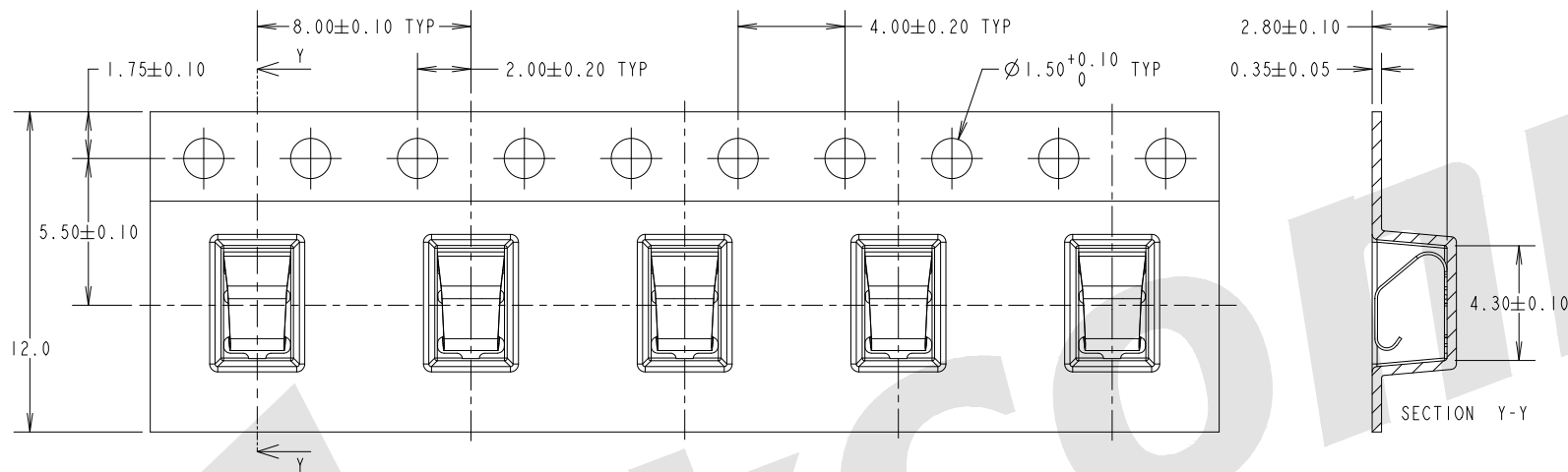
Atkconn® ATKCONN ELECTRONICS CO., LTD
[Http://www.atkconn.com](http://www.atkconn.com)

TITLE:
SMT SHIELD FINGER 2.7

DRAWING NO: S7091-42R-X

PRODUCT NO: S7091-42R-X

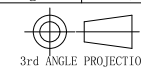
REV	DESCRIPTION	DATE
1		
2		
3		
4		
5		



NOTES:
QUANTITY PER REEL=2500 PCS

Unless Otherwise specified tolerance
X. ± 0.35 X. XX: ± 0.20
X. X: ± 0.25 X. XXX: ± 0.15

SCALE: As Shown UNIT: mm
DRAW: ZLA DATE: 21/07/2022
CHECK: BobYang DATE: 21/07/2022



Atkconn® ATKCONN ELECTRONICS CO., LTD
[Http://www.atkconn.com](http://www.atkconn.com)

TITLE:
SMT SHIELD FINGER 2.7 IN TAPE AND REEL

DRAWING NO: S7091-42R-X

PRODUCT NO: S7091-42R-X

REV	DESCRIPTION	DATE
1		