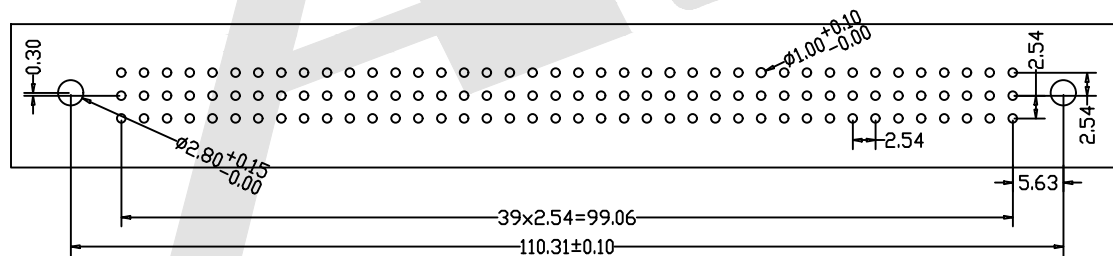
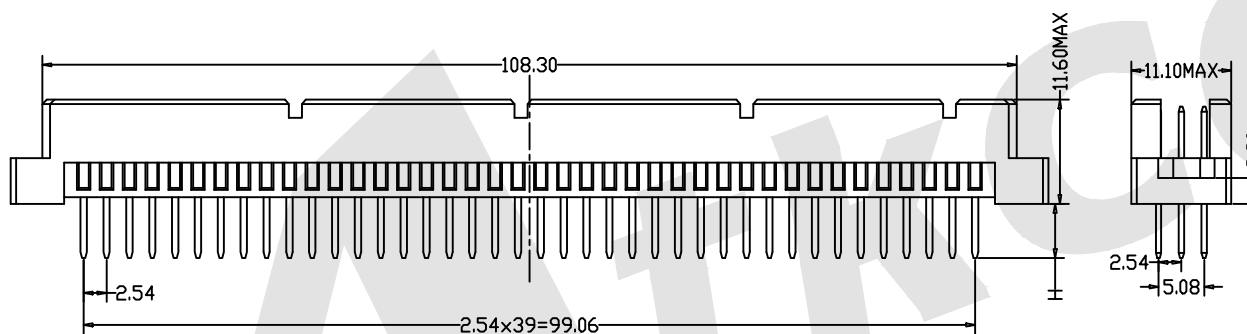
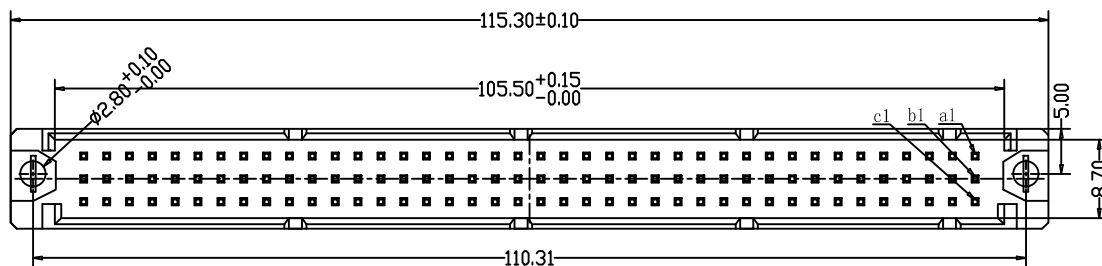


HSF



ROHS



Recommended P. C. B. Layout

SPECIFICATION

Current Rating: 2.0Amp  
 Insulation Resistance: 1000MΩ min. at DC 100V  
 Contact Resistance: 20mΩ max  
 Withstand Voltage: AC 1000V For 1 Minute  
 Operating Temperature: -55° C to +105° C  
 Contact Material: Brass  
 Contact Plating: Au or Sn Over Ni  
 Insulator Material: PBT+30%GF UL 94V-0  
 Insertion Force: 120 pin max. 100N  
 Withdrawal Force: 0.15N min. per individual contact

Ordering Code:

DMS - XX - X - X - X -309  
 ① ② ③ ④ ⑤ ⑥

- ① Series No:
- ② No. of Contacts  
120P 80P 60p 40p
- ③ Termination  
A: Straight solder tail length H=2.5mm  
E: Straight solder tail length H=4.0mm  
I: Straight tail length H=5.0mm  
K: Straight tail length H=7.4mm  
M: Wrap post tail length H=13.0mm  
N: Wrap post tail length H=17.0mm  
O: Wrap post tail length H=19.4mm
- ④ Rows Loaded With Contacts  
A: Row a+b+c  
C: Row a+b  
D: Row a+c  
DI: Row a+b+c(2, 4, 6...)  
F: Row a+c(2, 4, 6...)  
FI: Row a
- ⑤ Contact Plating  
G0: Gold flash  
S0: Gold flash/Ni  
G1: 3u" Gold  
S1: 3u" Gold/Ni  
G2: 5u" Gold  
S2: 5u" Gold/Ni  
G3: 10u" Gold  
S3: 10u" Gold/Ni  
G4: 15u" Gold  
S4: 15u" Gold/Ni  
G5: 30u" Gold  
S5: 30u" Gold/Ni  
SN: Tin
- ⑥ Series number  
309

Code	Number Of Contacts	Contact Arrangement	Rows With Contacts	Pitch
A	120		a b c	
C	80		a b	2.54
D	60		a c	
DI	60		a b c	5.08
F	40		a c	
FI	40		a	2.54

Unless Otherwise specified tolerance  
 X. ±0.35 X. XX: ±0.20  
 X. X: ±0.25 X. XXX: ±0.15

SCALE: As Shown UNIT: mm  
 DRAW ZLA DATE 25/04/2022  
 CHECK BobYang DATE 25/04/2022



**Atkconn**® ATKCONN ELECTRONICS CO., LTD  
 Http://www.atkconn.com

TITLE:  
 DIN41612 Vertical Plug Extended Type R Solder  
 Type Connectors 120 Positions

DRAWING NO: DMS-XX-XXX-309  
 PRODUCT NO: DMS-XX-XXX-309

REV	DESCRIPTION	DATE