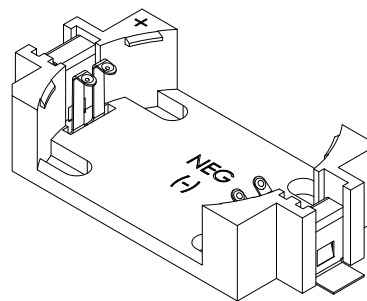
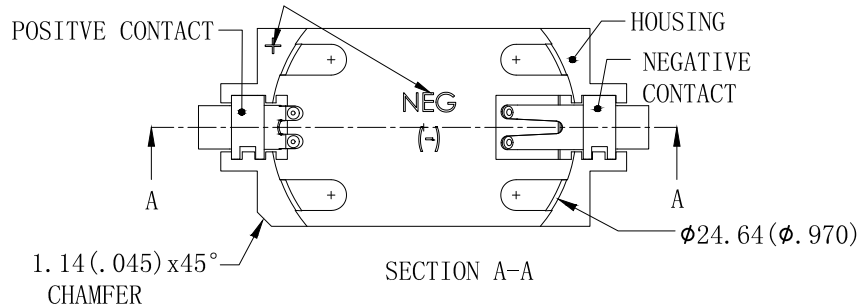




SYMBOL FOR POLARITY



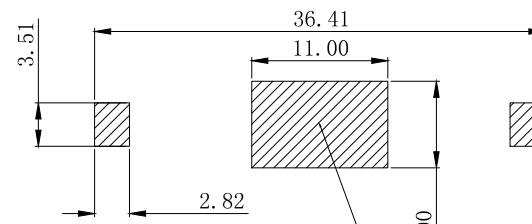
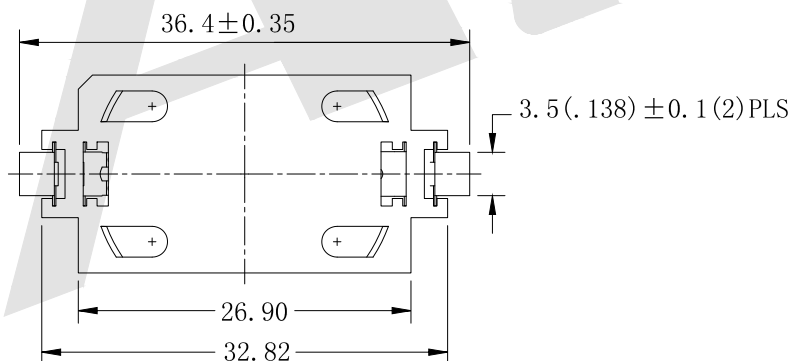
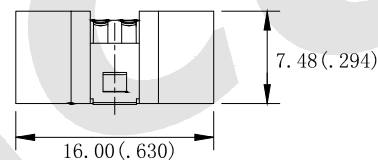
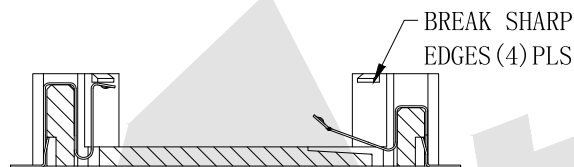
NOTES:

- 1, BASE
MAT'L: GLSAA FILED LCP UL 94V-0
- 2, CONTACTS:
MAT'L: 0.15mm TH'K PHOSPHOR BRONZE
FINISH: GOLD FLASH PLATING

Order code:

BT - M - GO - R - CR2450C
 ① ② ③ ④ ⑤

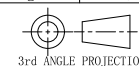
- ① BT: Coin Cell Holders
- ② Appearance for the product
M: SMT TYPE
S: 180 TYPE
R: 90 TYPE
- ③ Contact Plating
SN: Tin
G0: Gold flash
G1: 3U" Gold
G2: 5U" Gold
G3: 10U" Gold
G4: 15U" Gold
G5: 30U" Gold
- ④ Packing method
A: Tray packing
R: Tape & reel packing
- ⑤ Product number
CR2450C



! MOUNTING PAD LAYOUT ZONE FOR OPTIONAL ADHESIVE FIXATION

Unless Otherwise specified tolerance
 X. ±0.35 X.XX: ±0.20
 X.X: ±0.25 X.XXX: ±0.15

SCALE: As Shown UNIT: mm
 DRAW: ZLA DATE: 21/07/2022
 CHECK: BobYang DATE: 21/07/2022



Atkconn® ATKCONN ELECTRONICS CO., LTD
[Http://www.atkconn.com](http://www.atkconn.com)

TITLE:
Coin Cell Holders For CR2450

DRAWING NO: BT-M-GO-R-CR2450C

PRODUCT NO: BT-M-GO-R-CR2450C

REV	DESCRIPTION	DATE
1		
2		
3		

HSF



ROHS

NOTES:

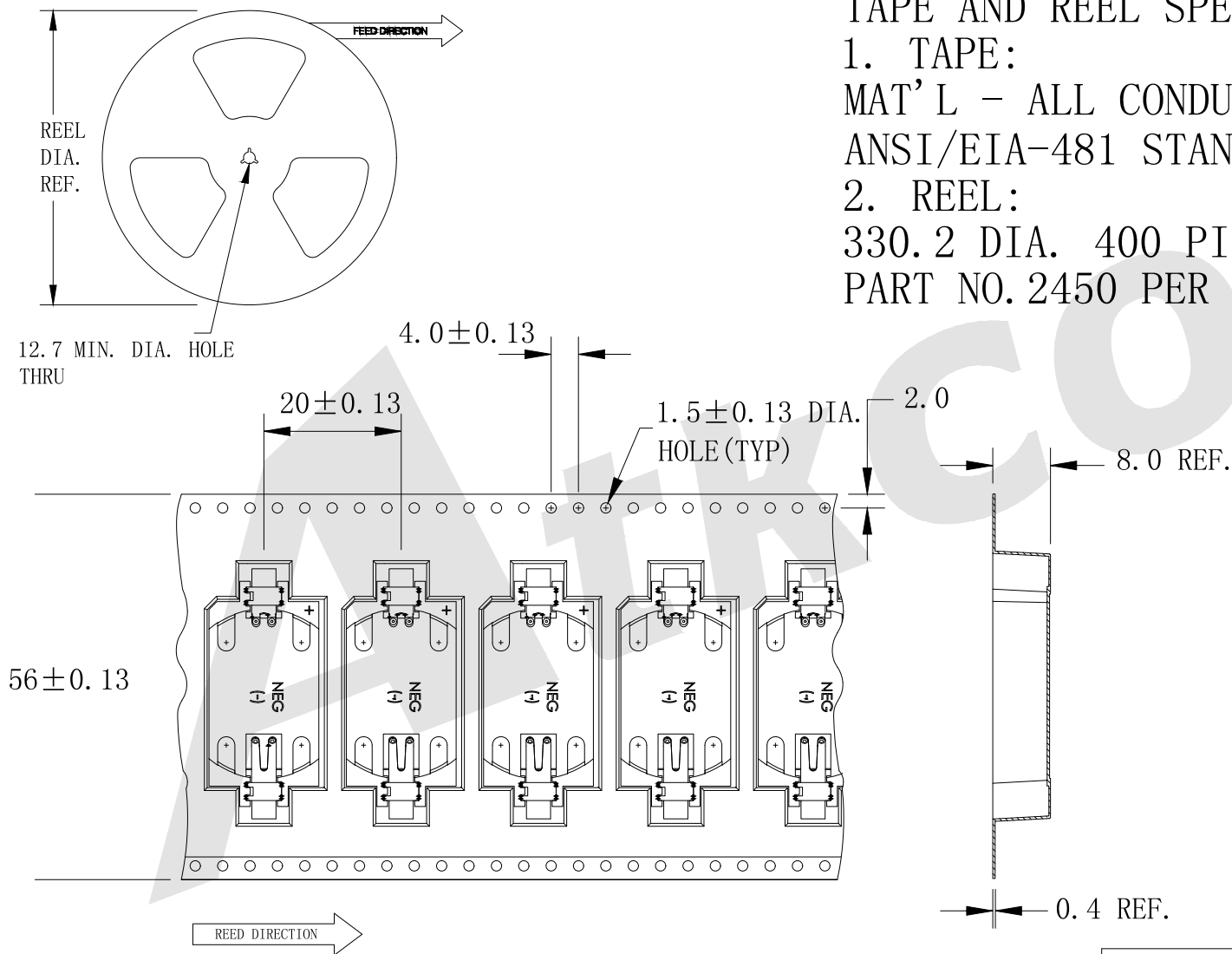
TAPE AND REEL SPECIFICATIONS:

1. TAPE:

MAT'L - ALL CONDUCTIVE POLYSTYRENE CARRIER
ANSI/EIA-481 STANDARD

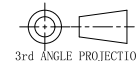
2. REEL:

330.2 DIA. 400 PIECES OF
PART NO. 2450 PER REEL.



Unless Otherwise specified tolerance
 X. ±0.35 X.XX: ±0.20
 X.X: ±0.25 X.XXX: ±0.15

SCALE: As Shown	UNIT: mm
DRAW ZLA	DATE 21/07/2022
CHECK BobYang	DATE 21/07/2022



Atkconn® ATKCONN ELECTRONICS CO., LTD
[Http://www.atkconn.com](http://www.atkconn.com)

TITLE:
2450 SMT BATTERY HOL . DER ON TAPE AND REEL

DRAWING NO: BT-M-G0-R-CR2450C

PRODUCT NO: BT-M-G0-R-CR2450C

REV	DESCRIPTION	DATE
1		
2		
3		
4		
5		