

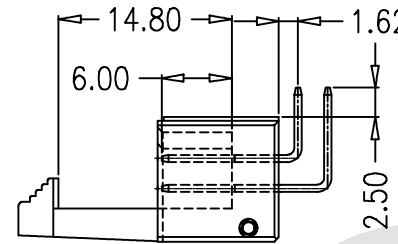
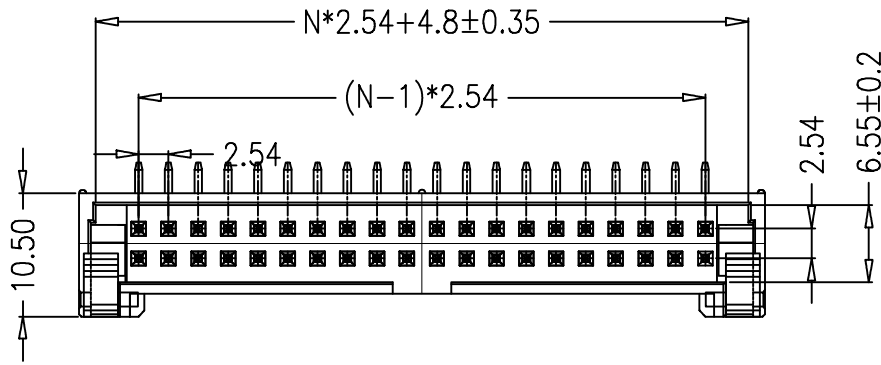
HSF



ROHS

SPECIFICATION

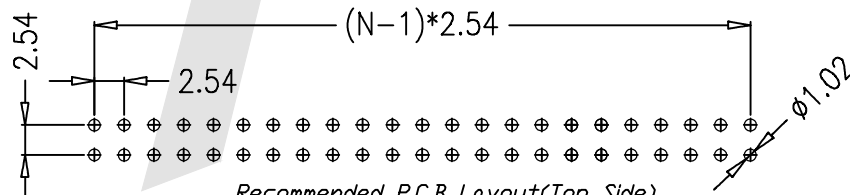
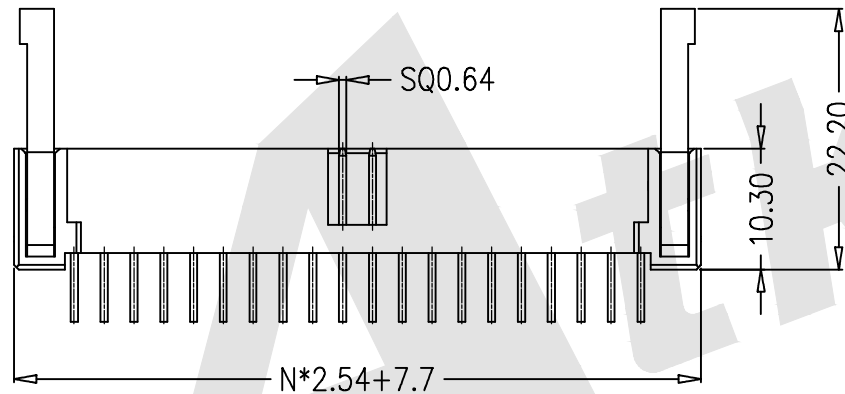
Current Rating: 3.0Amp
 Insulation Resistance: 1000MΩmin
 Contact Resistance: 20MΩmax
 Withstand Voltage: 1000V AC/DC
 Contact Material: Brass
 Contact Plating: Au or Sn Over Ni
 Insulator Material: PBT or PA6T+30%GF UL94V-0
 Operating Temperature: -40° C to +105° C



No side slot "A" and "B" from 6 to 16 pin
 No side slot "A" from 18 to 58 pin

Ordering Code: LHDR06 - X - X - X - X - X
 ① ② ③ ④ ⑤ ⑥

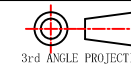
- ① Series No:
06 08 10 12
14 16 18 20
24 26 30 34
40 50 60 64
- ② No. of Contacts:
06 08 10 12
14 16 18 20
24 26 30 34
40 50 60 64
- ③ Contact Plating:
G0:Gold flash S0:Selective
G1:3U" Gold S1:Selective 3u"
G2:5u" Gold S2:Selective 5u"
G3:10u" Gold S3:Selective 10u"
G4:15u" Gold S4:Selective 15u"
G5:30u" Gold S5:Selective 30u"
SN: Tin
- ④ Color Insulator:
B:Black
U:Blue
G:Gray
- ⑤ Insulator Material:
A:PBT
B:PA6T
C:LCP
D:PA46
E:PA9T
- ⑥ Packing:
A:Tray
B:Bag
T:Tube
U:Tube+CAP
R:Tape&Reel
W:Tape&Reel+CAP



Recommended P.C.B Layout (Top Side)
 (PCB BOARD TOLERANCE±0.05)

Unless Otherwise specified tolerance
 X. ±0.35 X.XX: ±0.20
 X.X: ±0.25 X.XXX: ±0.15

SCALE: As Shown UNIT: mm
 DRAW ZLA DATE 24/04/2022
 CHECK BobYang DATE 24/04/2022



Atkconn® ATKCONN ELECTRONICS CO., LTD
 Http://www.atkconn.com

TITLE: 2.54mm Ejector Header 90°
 With Plastic Latch

DRAWING NO: LHDR06-XXXXX

PRODUCT NO: LHDR06-XXXXX

REV	DESCRIPTION	DATE