



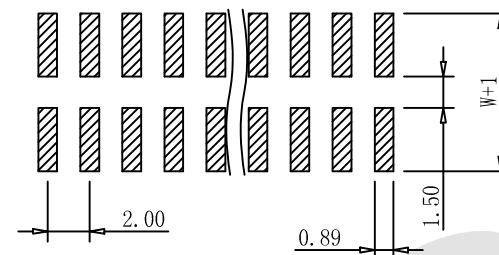
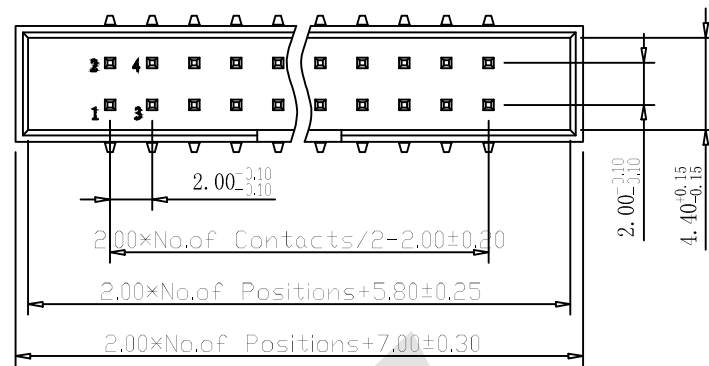
SPECIFICATION

Current Rating: 2.0 Amp
 Insulation Resistance: 1000MΩ min
 Contact Resistance: 20MΩ max
 Withstand Voltage: 500V AC/DC
 Operating Temperature: -40°C to +105°C
 Contact Material: Brass
 Contact Plating: Au or Sn Over Ni
 Insulator Material: PA6T+30%GF UL 94V-0

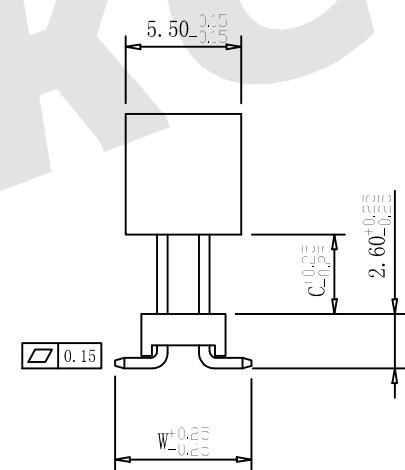
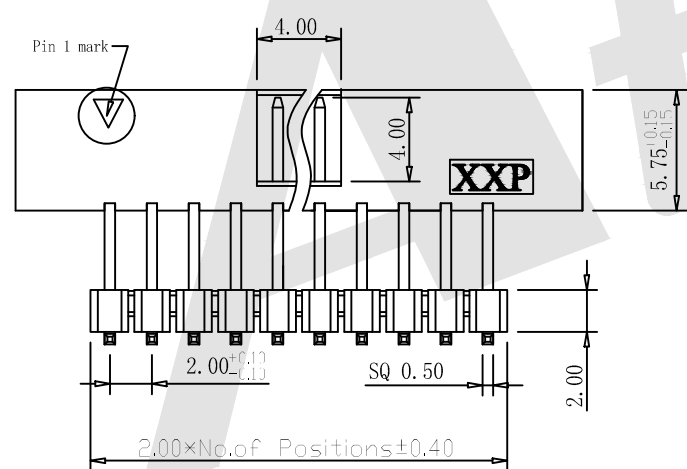
Ordering Code:

BHCM02 - X - X - X - X - X - W - C
 ① ② ③ ④ ⑤ ⑥ ⑦

- ① Series No:
- ② No. of Contacts
06 08 10 12 14 16 18
20 22 24 26 28 30 34
36 40 44 50 60 68
- ③ Contact Plating:
G0: Gold flash S0: Selective
G1: 3u" Gold S1: Selective 3u"
G2: 5u" Gold S2: Selective 5u"
G3: 10u" Gold S3: Selective 10u"
G4: 15u" Gold S4: Selective 15u"
G5: 30u" Gold S5: Selective 30u"
SN: Tin
- ④ Color Insulator
B: Black
U: Blue
W: White
- ⑤ Insulator Material
B: PA6T
C: LCP
E: PA9T
- ⑥ Packing
A: Tray
B: Bag
T: Tube
U: Tube+CAP
R: Tape&Reel
W: Tape&Reel+CAP
- ⑦ Dimension option:
W: 0650=6.50mm
C: 0380=3.80mm



Recommended P. C. B Layout (Top Side)
 (PCB BOARD TOLERANCE ± 0.05)



Dimension option		
ITEM	W	C
Standard	6.50	3.80
Alternate		

Unless Otherwise specified tolerance
 X. ± 0.35 X. XX: ± 0.20
 X. X: ± 0.25 X. XXX: ± 0.15

SCALE: As Shown UNIT: mm
 DRAW: ZLA DATE: 24/04/2022
 CHECK: BobYang DATE: 24/04/2022



Atkconn® ATKCONN ELECTRONICS CO., LTD
[Http://www.atkconn.com](http://www.atkconn.com)

TITLE:
2.00mm Box Header SMT H=5.75 Add Housing

DRAWING NO: BHCM02-XXXXXXX
 PRODUCT NO: BHCM02-XXXXXXX

REV	DESCRIPTION	DATE