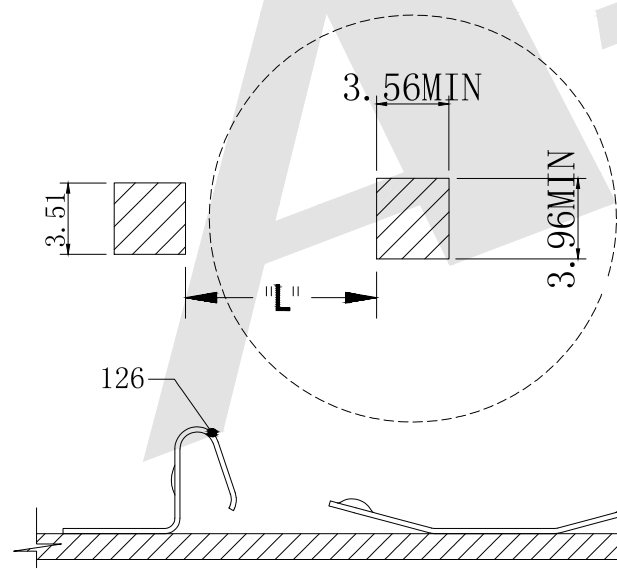
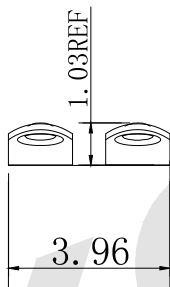
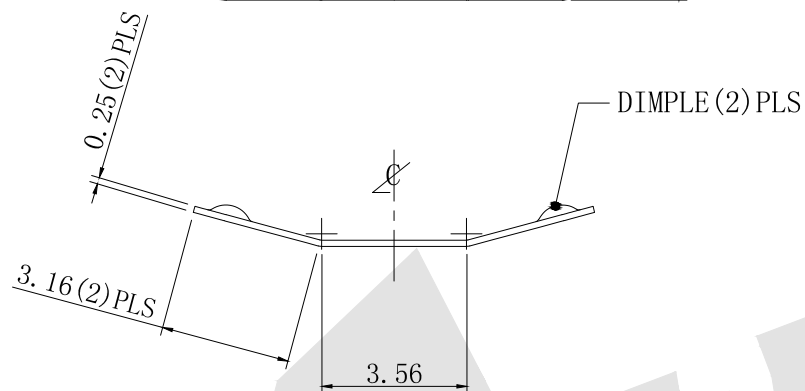
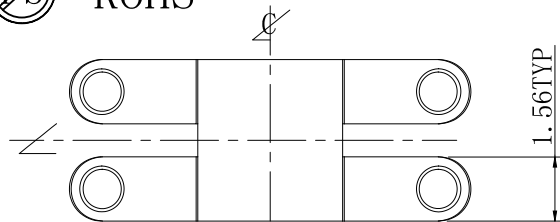


HSF



ROHS



MTG LAY OUT WHEN USE WITH127

BATTERY DIA	L
20mm	9.4
24mm	11.4

NOTE:

MATERIAL:0.15 STAINLESS STEEL FINISH

GOLD-PLATED

COATING PARAMETERS: 4um

TEMPERATURE RANGE: -40° C~270° C

VOLTAGE PARAMETERS : 270V

Order code:

BS — M — SI — R — 127
 ① — ② — ③ — ④ — ⑤

① BS: Battery contacts

② Appearance for the product

M:SMT TYPE

S:180 TYPE

R:90 TYPE

③ Contact Plating

SI: NICKEL Plated

SN: Tin

G0: Gold flash

G1: 3U" Gold

G2: 5U" Gold

G3: 10U" Gold

G4: 15U" Gold

G5: 30U" Gold

④ Packing method

A: Tray packing

R: Tape & reel packing

⑤ Product number:

127

Unless Otherwise specified tolerance
 X. ±0.35 X.XX: ±0.20
 X.X: ±0.25 X.XXX: ±0.15

SCALE: As Shown UNIT: mm
 DRAW ZLA DATE 21/07/2022
 CHECK BobYang DATE 21/07/2022



Atkconn® ATKCONN ELECTRONICS CO., LTD
[Http://www.atkconn.com](http://www.atkconn.com)

TITLE: Battery Contacts 127

DRAWING NO: BS-M-SI-R-127

PRODUCT NO: BS-M-SI-R-127

REV	DESCRIPTION	DATE
1		
2		
3		
4		
5		