

HSF



ROHS

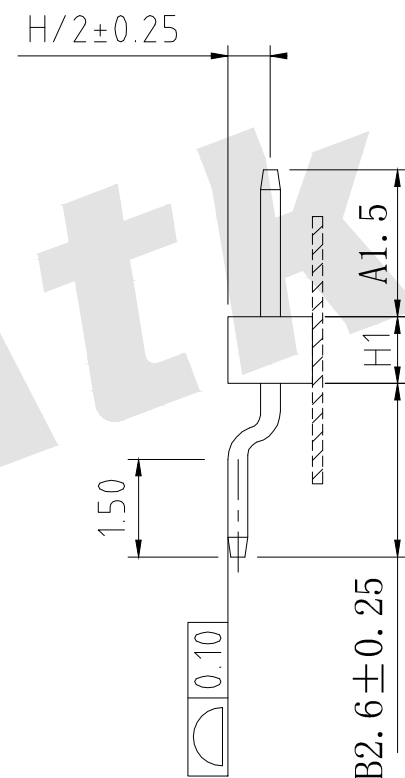
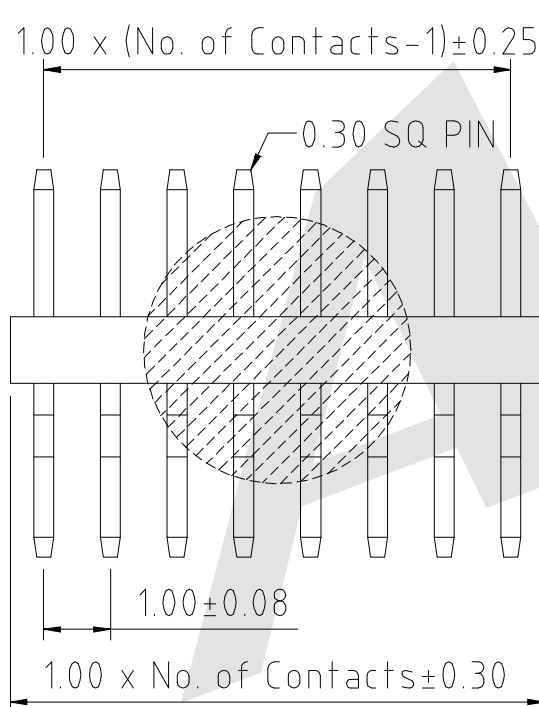
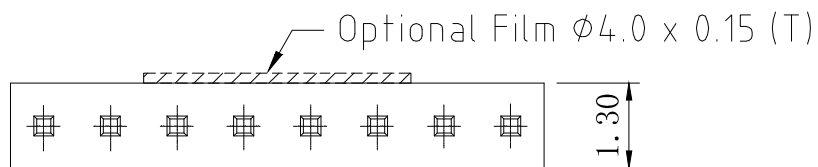
**SPECIFICATIONS:**

Current Rating: 0.75Amp  
 Insulation Resistance: 1000M ohms min  
 Contact Resistance: 20M ohms max  
 Dielectric Withstanding: AC500V  
 Operating Temperature: -65° C to +125° C  
 Contact Material: Brass  
 Insulator Material: PA6T, UL94V-0, Color:Black

**Ordering Code:**

PHBM05 - X - X - S - A - B - X - X - X  
 ① ② ③ ④ ⑤ ⑥ ⑦ ⑧

- ① Series No:
- ② No. of Contacts:  
01 To 50
- ③ Contact Plating:  
G0:Gold flash S0:Selective  
G1:3u" Gold S1:Selective 3u"  
G2:5u" Gold S2:Selective 5u"  
G3:10u" Gold S3:Selective 10u"  
G4:15u" Gold S4:Selective 15u"  
G5:30u" Gold S5:Selective 30u"  
SN:Tin
- ④ Connector Type:  
S:Single
- ⑤ Pin Length:  
A:0150=1.50mm  
B:0260=2.60mm  
Please mark the desired length in the A/B
- ⑥ Insulator Material:  
B:PA6T  
C:LCP  
E:PA9T
- ⑦ Packing:  
A:Tray  
B:Bag  
T:Tube  
U:Tube+CAP  
R:Tape&Reel  
W:Tape&Reel+CAP
- ⑧ Plastic High:  
H1: 1.0mm



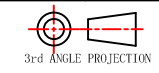
Unless Otherwise specified tolerance  
 X. ±0.35 X.XX: ±0.20  
 X.X: ±0.25 X.XXX: ±0.15

**Atkconn**® ATKCONN ELECTRONICS CO., LTD  
[Http://www.atkconn.com](http://www.atkconn.com)

SCALE: As Shown	UNIT: mm
DRAW ZLA	DATE 24/04/2022
CHECK BobYang	DATE 24/04/2022

TITLE: 1.00 mm Pin Header Single Row SMT Type

DRAWING NO: PHBM05-XXS-0150-0260-X-X-H1  
 PRODUCT NO: PHBM05-XXS-0150-0260-X-X-H1



REV	DESCRIPTION	DATE
1		
2		
3		
4		
5		