



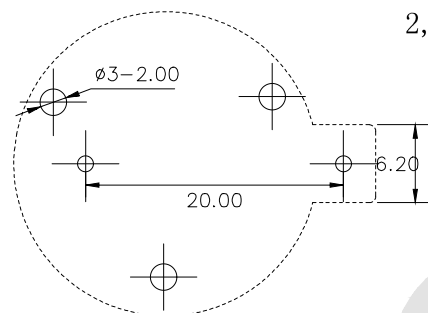
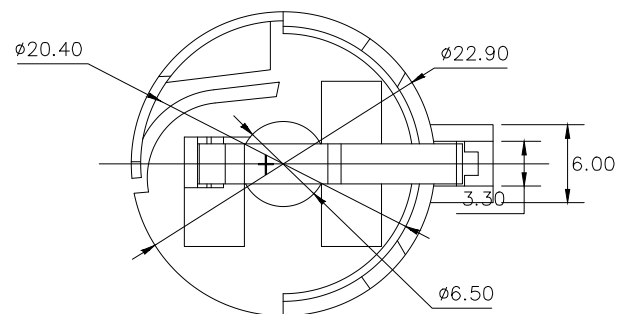
NOTE:

1, Material:

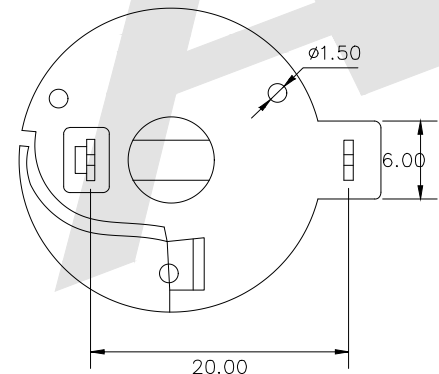
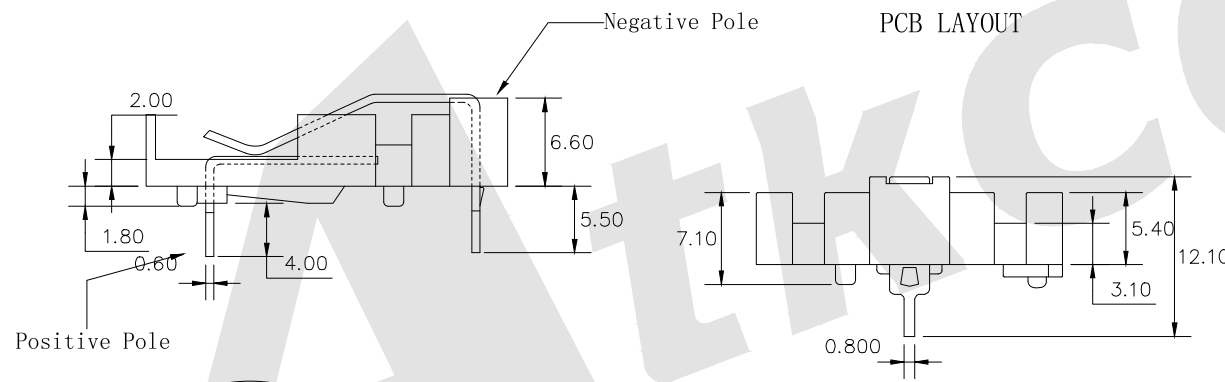
- a. Housing: PA BK V0 GG30.15
- b. Contact: C2680 (Surface Plating: Sn 10u")

2, Electric:

- a. Contact Resistance: 30 Milliohms Max
- b. Insulation Resistance: 1000 MEGA OHMS Min
- c. Dielectric Voltage: 500V AC One Sea Level
- d. Operating Temperature: -55° To 105°



PCB LAYOUT



Order code:

BT — S — SN — A — CR2032B

①                      ②                      ③                      ④                      ⑤

① BT: Coin Cell Holders      ③ Contact Plating

② Appearance for the product  
M: SMT TYPE  
S: 180 TYPE  
R: 90 TYPE

SN: Tin  
G0: Gold flash  
G1: 3U" Gold  
G2: 5U" Gold  
G3: 10U" Gold  
G4: 15U" Gold  
G5: 30U" Gold

④ Packing method  
A: Tray packing  
R: Tape & reel packing

⑤ Product number  
CR2032B

Unless Otherwise specified tolerance  
X. ±0.35      X.XX: ±0.20  
X.X: ±0.25    X.XXX: ±0.15

SCALE: As Shown      UNIT: mm  
DRAW ZLA      DATE 21/07/2022  
CHECK BobYang      DATE 21/07/2022



**Atkconn**® ATKCONN ELECTRONICS CO., LTD  
[Http://www.atkconn.com](http://www.atkconn.com)

TITLE: Coin Cell Holders For CR2032

DRAWING NO: BT-S-SN-A-CR2032B

PRODUCT NO: BT-S-SN-A-CR2032B

REV	DESCRIPTION	DATE
1		
2		
3		
4		
5		