

HSF



ROHS

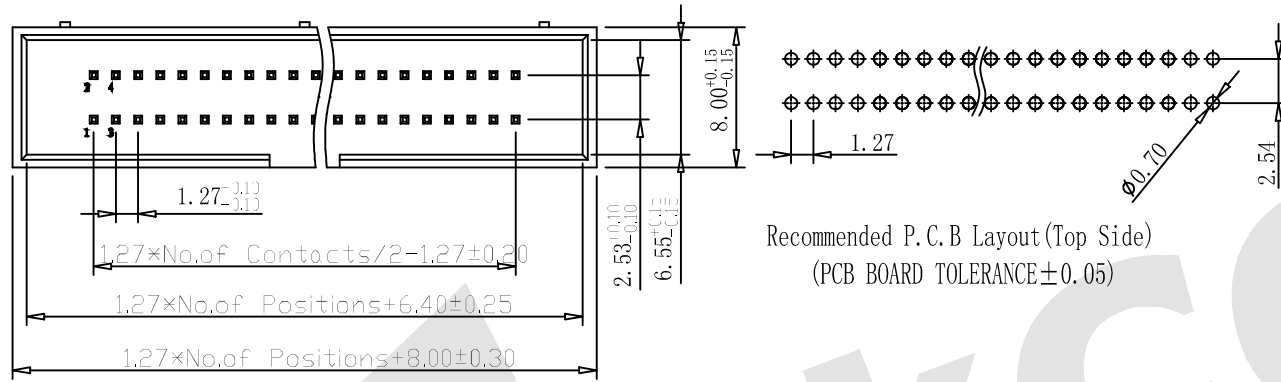
SPECIFICATION

Current Rating: 1.0Amp
 Insulation Resistance: 1000MΩ min
 Contact Resistance: 20MΩ max
 Withstand Voltage: 500V AC/DC
 Operating Temperature: -40° C to +105° C
 Contact Material: Brass
 Contact Plating: Au or Sn Over Ni
 Insulator Material: PA6T+30%GF UL 94V-0

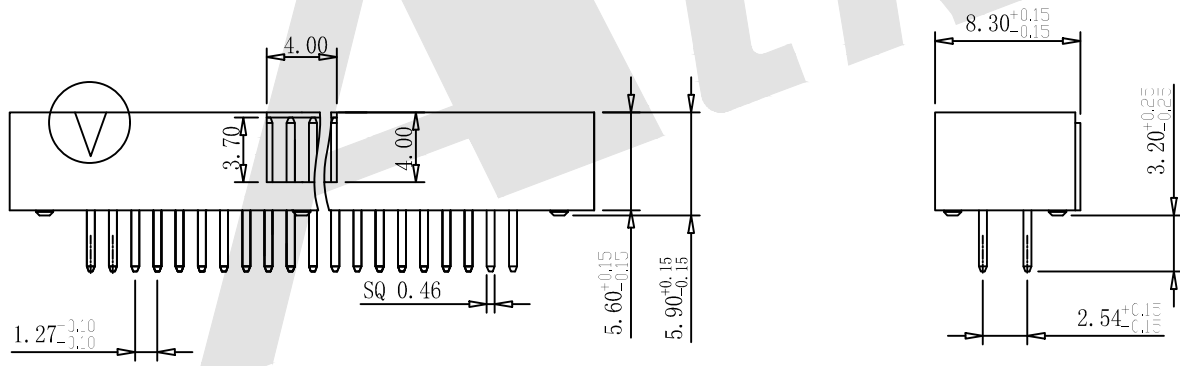
Ordering Code:

BHBS02 - X - X - X - X - X
 ① ② ③ ④ ⑤ ⑥

- ① Series No:
- ② No. of Contacts
 - 06 08 10 14
 - 16 20 26 30
 - 34 40 50 60
 - 80 100
- ③ Contact Plating:
 - G0:Gold flash S0:Selective
 - G1:3U" Gold S1:Selective 3u"
 - G2:5u" Gold S2:Selective 5u"
 - G3:10u" Gold S3:Selective 10u"
 - G4:15u" Gold S4:Selective 15u"
 - G5:30u" Gold S5:Selective 30u"
 - SN: Tin
- ④ Color Insulator
 - B:Black
 - U:Blue
 - W:White
- ⑤ Insulator Material
 - A:PBT
 - B:PA6T
 - C:LCP
 - D:PA46
 - E:PA9T
- ⑥ Packing
 - A:Tray
 - B:Bag
 - T:Tube
 - U:Tube+CAP
 - R:Tape&Reel
 - W:Tape&Reel+CAP



Recommended P.C.B Layout (Top Side)
 (PCB BOARD TOLERANCE±0.05)

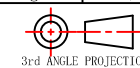


Unless Otherwise specified tolerance
 X. ±0.35 X.XX: ±0.20
 X.X: ±0.25 X.XXX: ±0.15

Atkconn® ATKCONN ELECTRONICS CO., LTD
 Http://www.atkconn.com

SCALE: As Shown UNIT: mm
 DRAW ZLA DATE 24/04/2022
 CHECK BobYang DATE 24/04/2022

TITLE:
 1.27*2.54mm Box Header 180° H=5.90



DRAWING NO: BHBS02-XXXXX
 PRODUCT NO: BHBS02-XXXXX

REV	DESCRIPTION	DATE
1		
2		
3		
4		
5		