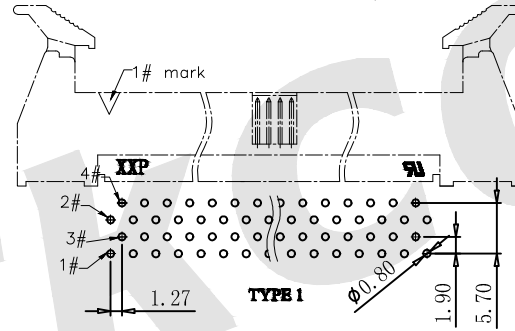
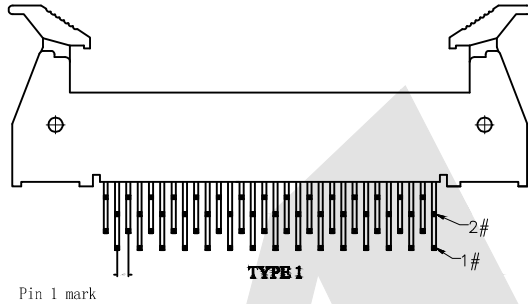
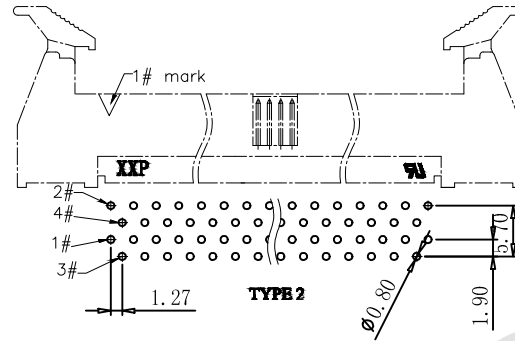
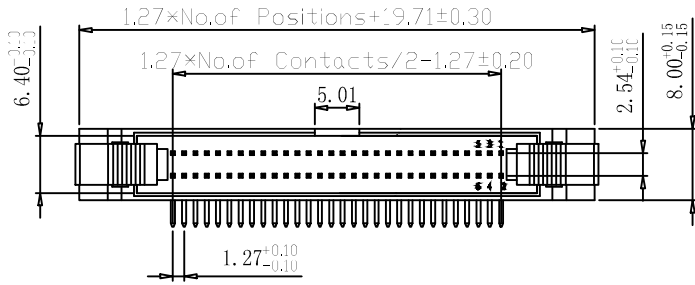


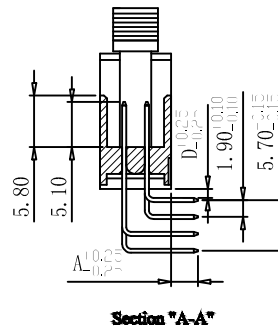
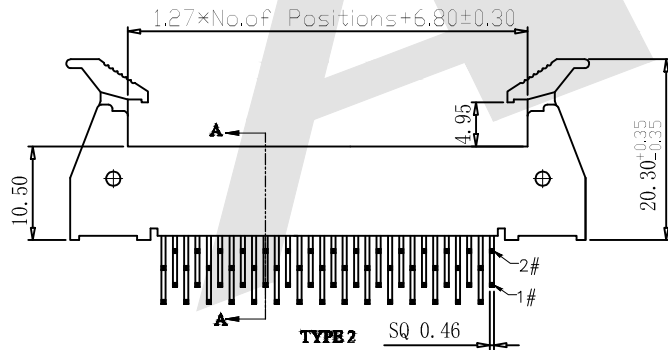
HSF



RoHS



Recommended P.C.B Layout (Top Side)
(PCB BOARD TOLERANCE ±0.05)



SPECIFICATION

Current Rating: 1.0Amp
 Insulation Resistance: 1000MΩ min
 Contact Resistance: 20MΩ max
 Withstand Voltage: 500V AC/DC
 Operating Temperature: -40°C to +105°C
 Contact Material: Brass
 Contact Plating: Au or Sn Over Ni
 Insulator Material: PA6T+30%GF UL 94V-0

Ordering Code:

LHBR02 - X - X - X - X - X - X

① ② ③ ④ ⑤ ⑥ ⑦

① Series No:

④ Color Insulator
 B:Black
 U:Blue
 W:White

② No. of Contacts

10 12 14
 16 20 24
 26 30 32
 34 40 44
 50 60 64
 80 100

⑤ Insulator Material
 B:PA6T
 C:LCP
 E:PA9T

③ Contact Plating:

G0:Gold flash S0:Selective
 G1:3U" Gold S1:Selective 3u"
 G2:5u" Gold S2:Selective 5u"
 G3:10u" Gold S3:Selective 10u"
 G4:15u" Gold S4:Selective 15u"
 G5:30u" Gold S5:Selective 30u"
 SN:Tin

⑥ Packing

A:Tray
 B:Bag
 T:Tube
 U:Tube+CAP
 R:Tape&Reel
 W:Tape&Reel+CAP

⑦ A:Type 1
 B:Type 2

Unless Otherwise specified tolerance
 X. ±0.35 X.XX:±0.20
 X.X:±0.25 X.XXX:±0.15

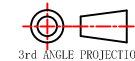
Atkconn® ATKCONN ELECTRONICS CO.,LTD
[Http://www.atkconn.com](http://www.atkconn.com)

SCALE: As Shown UNIT: mm
 DRAW ZLA DATE 24/04/2022
 CHECK BobYang DATE 24/04/2022

TITLE:
 1.27*2.54mm Ejector Header 90° Four Row Foot

DRAWING NO: LHBR02-XXXXXX

PRODUCT NO: LHBR02-XXXXXX



REV DESCRIPTION

DATE

1 2 3 4 5 6 7 8