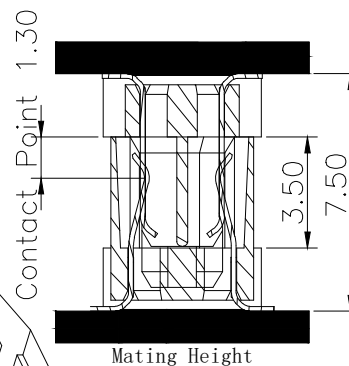
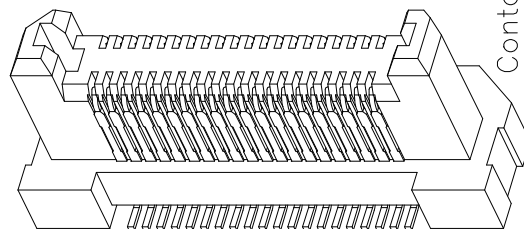


Recommended P.C.Board Layout (Tolerance:±0.05)



Specifications
 Current Rating:0.5Amp
 Insulation Resistance:500MΩ Min.
 Dielectric Withstanding Voltage:200VAC
 Contact Resistance:30mΩ Max.
 Operating Temperature:-40° C to +105° C
 Materials
 Contact Material:Bronze
 Insulator Material:High Temperature Thermoplastic,
 UL 94V-0 LCP or The Equivalent Material
 All Materials Must Meet GREENCONN Hazardous
 Substances Control Standards.

Ordering Code:

BBF0.5 - M - X - X - X - X - 02
 ① ② ③ ④ ⑤ ⑥ ⑦

- ① Series NO:
0.5mm Board to
Board Floating
Connector
- ② M:Male F:Female
- ③ Mating Height:
7.5=7.50mm
- ④ NO. of Contacts:
See Table
For Example
20:20 Poles
- ⑤ Contact Plating
G0: Gold Flash
G1: 3u" Gold
G2: 5u" Gold
G3: 10u" Gold
G4: 15u" Gold
G5: 30u" Gold
SN: Tin
- ⑥ Packing
T:Tube A:Tray
B:Bag U:Tube+CAP
R:tape&Reel
W:tape&Reel+CAP
- ⑦ Serial Number: 02

Unless Otherwise specified tolerance
 X. XX: ±0.20
 X. X: ±0.25 X. XXX: ±0.15

SCALE: As Shown	UNIT: mm
DRAW ZLA	DATE 24/10/2022
CHECK BobYang	DATE 24/10/2022
VER. A0	

Atkconn® ATKCONN ELECTRONICS CO., LTD
[Http://www.atkconn.com](http://www.atkconn.com)

TITLE: 0.5MM Board to Board Floating Male
 Plug Connector Mating Height 7.5mm

DRAWING NO: BBF0.5M-XXXX02

PRODUCT NO: BBF0.5M-XXXX02

REV	DESCRIPTION	DATE
1		
2		
3		
4		
5		