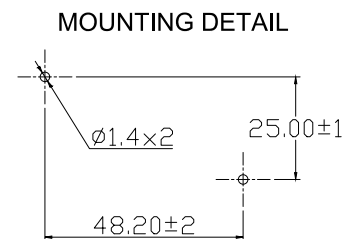
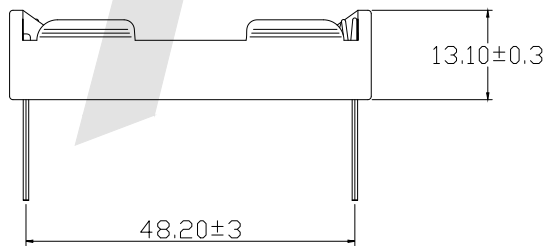
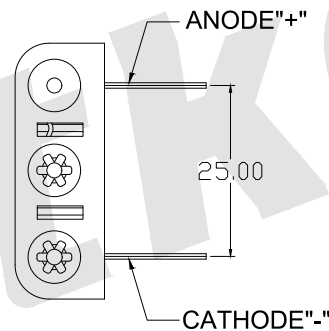
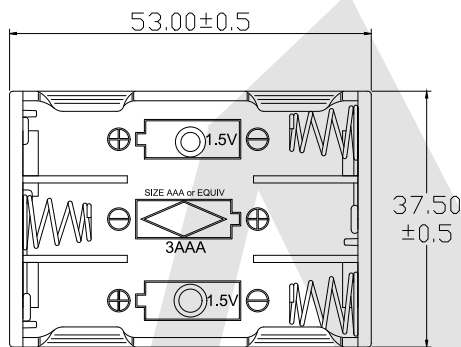
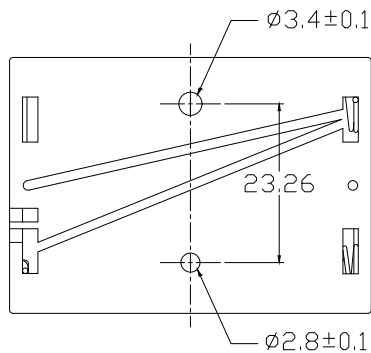


HSF



ROHS



NOTES:

- 1、HOLDER MATERIAL:POLYPROPYLENE
- 2、SPRING MATL:MUSIC WIRE, 0. 6DIA.  
FINISH:NICKEL PLATE
- 3、PC TERMINALS:MUSIC WIRE, 0. 8DIA.  
FINISH:NICKEL

Ordering Code:

BBC - 7 - 3 - A - P - 1  
 ①      ②      ③      ④      ⑤      ⑥

- ① BBC: Battery Holders
- ② BATTERY TYPE  
5: AA SIZE  
7: AAA SIZE
- ③ BATTERY NUMBERS  
1: 1 piece  
2: 2 Pieces  
3: 3 pieces  
4: 4 pieces
- ④ Packing  
A:TRAY
- ⑤ P:With Pins
- ⑥ 1 : Series Number

Unless Otherwise specified tolerance  
 X. ±0.35    X.XX: ±0.20  
 X.X: ±0.25    X.XXX: ±0.15

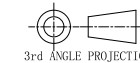
**Atkconn**® ATKCONN ELECTRONICS CO., LTD  
[Http://www.atkconn.com](http://www.atkconn.com)

SCALE: As Shown	UNIT: mm
DRAW ZLA	DATE 21/07/2022
CHECK BobYang	DATE 21/07/2022

TITLE: 3 PIECES AAA Battery Holders WITH PINS

DRAWING NO: BBC-7-3-A-P-1

PRODUCT NO: BBC-7-3-A-P-1



REV	DESCRIPTION	DATE
1		
2		
3		
4		
5		