

HSF



ROHS

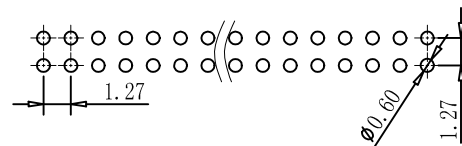
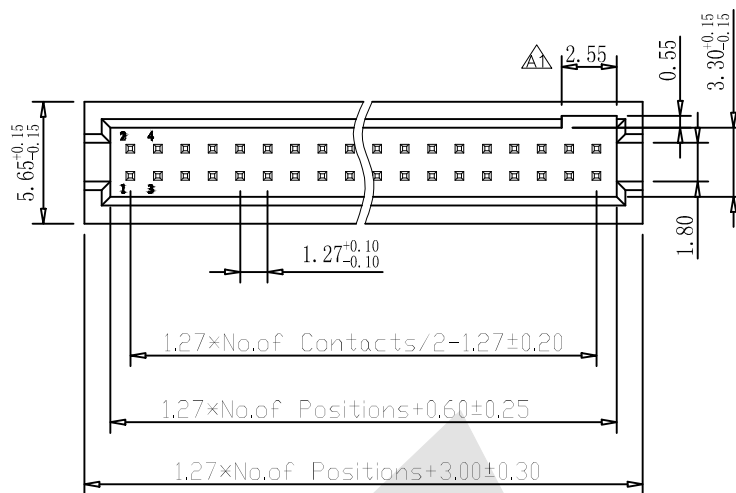
SPECIFICATION

Current Rating: 1Amp
 Insulation Resistance: 1000MΩ min
 Contact Resistance: 20MΩ max
 Withstand Voltage: 500V AC/DC
 Operating Temperature: -40°C to +105°C
 Contact Material: Brass
 Contact Plating: Au or Sn Over Ni
 Insulator Material: PA6T+30%GF UL 94V-0

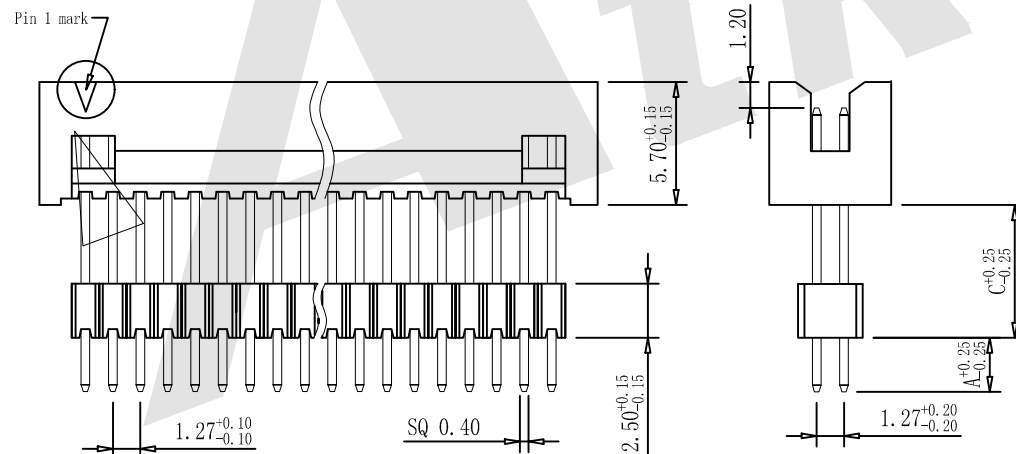
Ordering Code:

BHAS02 - X - X - X - X - X - A - C
 ① ② ③ ④ ⑤ ⑥ ⑦

- ① Series No:
- ② No.of Contacts
 06 08 10 14 16
 20 24 26 30 32
 34 40 44 50 60
 64 80 100
- ③ Contact Plating:
 G0:Gold flash S0:Selective
 G1:3u" Gold S1:Selective 3u"
 G2:5u" Gold S2:Selective 5u"
 G3:10u" Gold S3:Selective 10u"
 G4:15u" Gold S4:Selective 15u"
 G5:30u" Gold S5:Selective 30u"
 SN: Tin
- ④ Color Insulator
 B:Black
 U:Blue
 W:White
- ⑤ Insulator Material
 B:PA6T
 C:LCP
 E:PA9T
- ⑥ Packing
 A:Tray
 B:Bag
 T:Tube
 U:Tube+CAP
 R:Tape&Reel
 W:Tape&Reel+CAP
- ⑦ Dimension option:
 A:0250=2.50mm
 C:0800=8.00mm



Recommended P.C.B Layout (Top Side)
 (PCB BOARD TOLERANCE ±0.05)

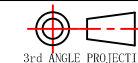


Unless Otherwise specified tolerance
 X. ±0.35 X.XX: ±0.20
 X.X: ±0.25 X.XXX: ±0.15

Atkconn® ATKCONN ELECTRONICS CO., LTD
[Http://www.atkconn.com](http://www.atkconn.com)

SCALE: As Shown UNIT: mm
 DRAW ZLA DATE 24/04/2022
 CHECK BobYang DATE 24/04/2022

TITLE:
 1.27mm Box Header 180° H=5.70 Add Housing



DRAWING NO: BHAS02-XXXXX
 PRODUCT NO: BHAS02-XXXXX

REV	DESCRIPTION	DATE