

HSF



ROHS

SPECIFICATION

Current Rating: 7 Amp
 Insulation Resistance: 1000M ohms min
 Contact Resistance: 20M ohms max
 Dielectric Withstanding: AC500V
 Operating Temperature: -65°C to +125°C
 Contact Material: Brass
 Insulator Material: LCP,UL 94V-0 Black

Ordering Code:

PHFR02 - X - X - S - A-D-B - X - X
 ① ② ③ ④ ⑤ ⑥ ⑦

① Series No:

② No. of Contacts
01 To 40

③ Contact Plating:
 G0:Gold flash S0:Selective
 G1:3U" Gold S1:Selective 3u"
 G2:5u" Gold S2:Selective 5u"
 G3:10u" Gold S3:Selective 10u"
 G4:15u" Gold S4:Selective 15u"
 G5:30u" Gold S5:Selective 30u"
 SN:Tin

④ Connector Type
S:Single

⑤ Pin Length:

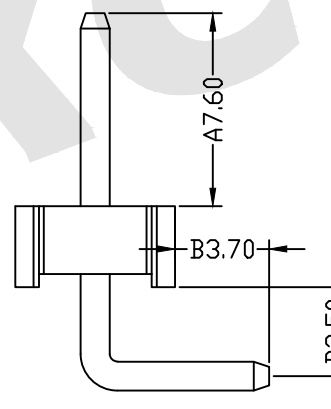
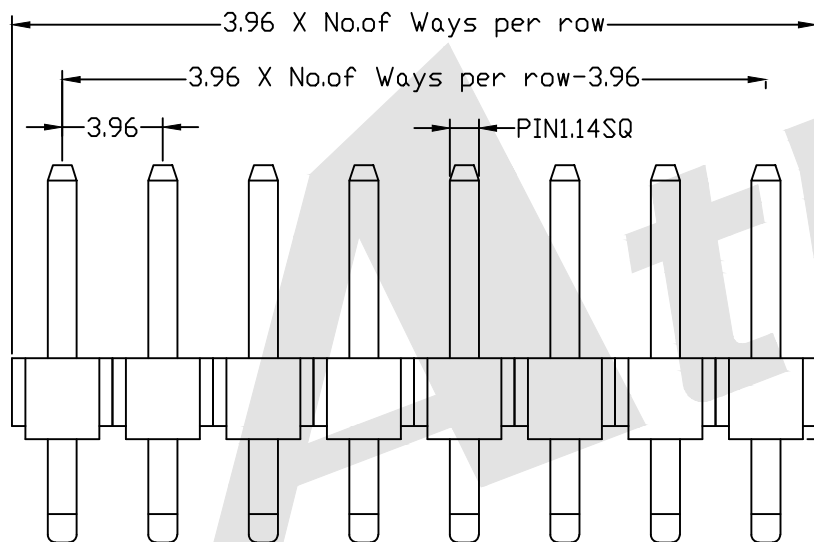
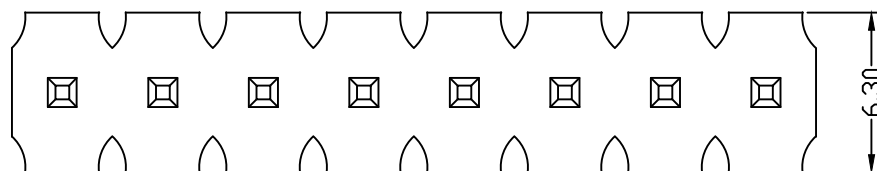
A:0760=7.60mm
 D:0350=3.50mm
 B:0370=3.70mm

Please mark the desired length in the A/D/B

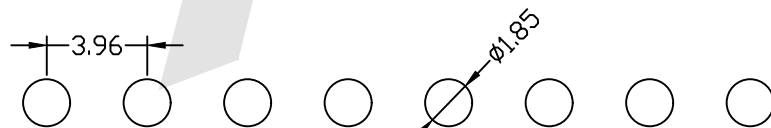
⑥ Insulator Material
 B:PA6T
 C:LCP
 E:PA9T

⑦ Packing:

A:Tray
 B:Bag
 T:Tube
 U:Tube+CAP
 R:Tape&Reel
 W:Tape&Reel+CAP



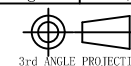
L=20.8MM



PCB LAYOUT

Unless Otherwise specified tolerance
 X. ±0.35 X.XX: ±0.20
 X.X: ±0.25 X.XXX: ±0.15

SCALE: As Shown UNIT: mm
 DRAW ZLA DATE 24/04/2022
 CHECK BobYang DATE 24/04/2022



Atkconn® ATKCONN ELECTRONICS CO.,LTD
[Http://www.atkconn.com](http://www.atkconn.com)

TITLE:
3.96mm Pin Header Single Row Angle Type

DRAWING NO: PHDR02-xxSNS0760-0350-0370CB

PRODUCT NO: PHDR02-xxSNS0760-0350-0370CB

REV	DESCRIPTION	DATE