



SPECIFICATION

Current Rating: 1.0Amp
 Insulation Resistance: 1000MΩ min
 Contact Resistance: 20MΩ max
 Withstand Voltage: 500V AC/DC
 Operating Temperature: -40°C to +105°C
 Contact Material: Brass
 Contact Plating: Au or Sn Over Ni
 Insulator Material: PA6T+30%GF UL 94V-0

Ordering Code:

LHAS01 - X - X - X - X - X
 ① ② ③ ④ ⑤ ⑥

① Series No:

④ Color Insulator

② No. of Contacts

10 14 16
 20 24 26
 30 34 40
 44 50 60

B:Black
 U:Blue
 G:Gray

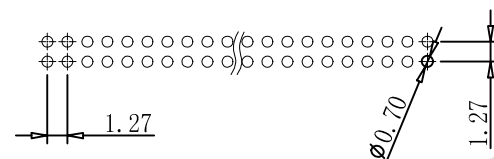
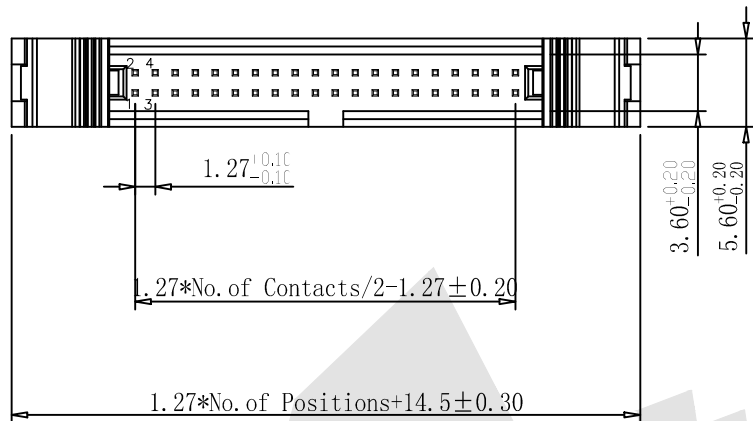
⑤ Insulator Material

③ Contact Plating:

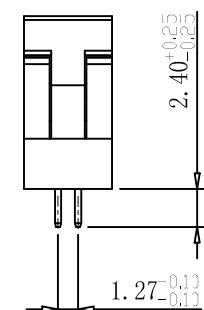
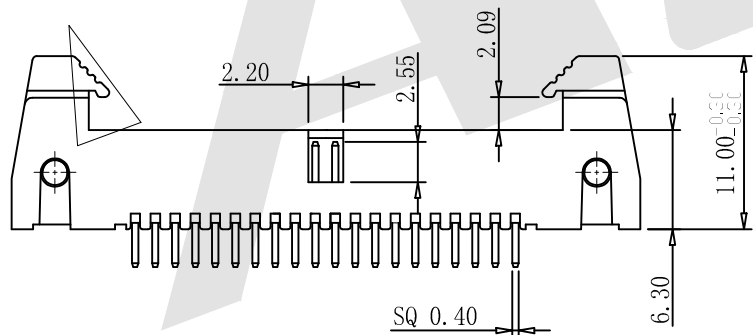
G0:Gold flash S0:Selective
 G1:3u" Gold S1:Selective 3u"
 G2:5u" Gold S2:Selective 5u"
 G3:10u" Gold S3:Selective 10u"
 G4:15u" Gold S4:Selective 15u"
 G5:30u" Gold S5:Selective 30u"
 SN: Tin

⑥ Packing

A:Tray
 B:Bag
 T:Tube
 U:Tube+CAP
 R:Tape&Reel
 W:Tape&Reel+CAP



Recommended P.C.B Layout (Top Side)
 (PCB BOARD TOLERANCE ±0.05)

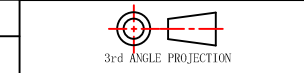


Unless Otherwise specified tolerance
 X. ±0.35 X.XX: ±0.20
 X.X: ±0.25 X.XXX: ±0.15

Atkconn® ATKCONN ELECTRONICS CO., LTD
[Http://www.atkconn.com](http://www.atkconn.com)

SCALE: As Shown UNIT: mm
 DRAW ZLA DATE 24/04/2022
 CHECK BobYang DATE 24/04/2022

TITLE: 1.27mm Ejector Header 180°



DRAWING NO: LHAS01-XXXXX
 PRODUCT NO: LHAS01-XXXXX

| REV | DESCRIPTION | DATE |
|-----|-------------|------|
| | | |