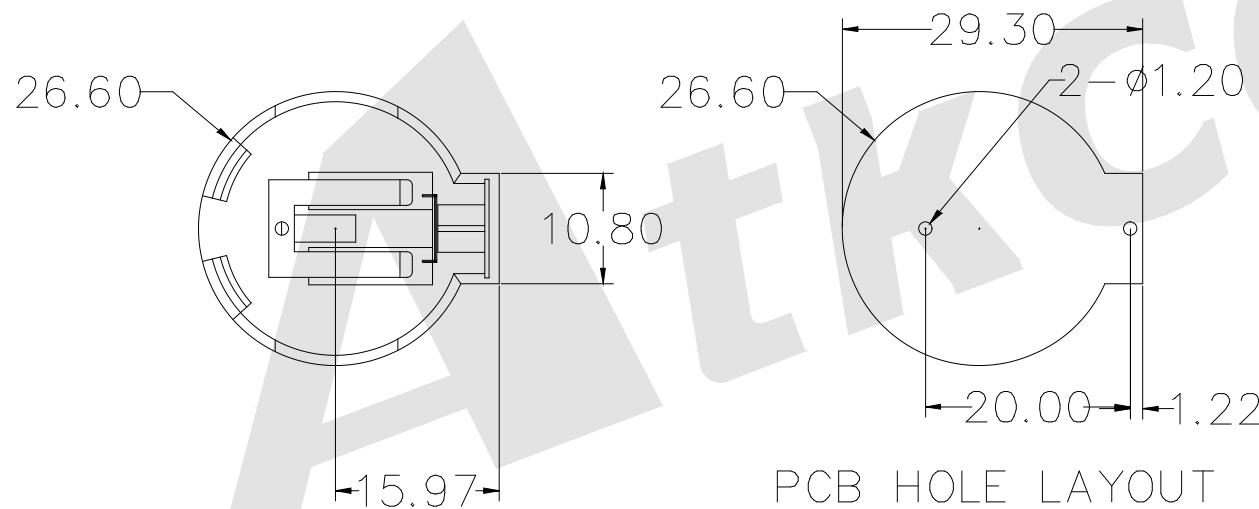
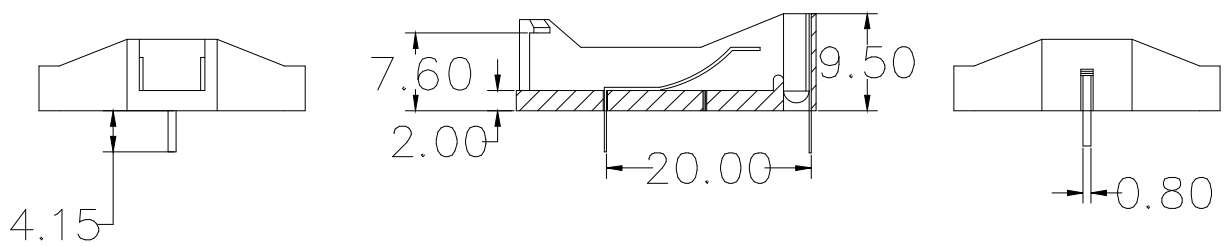


HSF



PCB HOLE LAYOUT

NOTE:

- 1, Material:
  - a. Housing: PBTVO+GF BK
  - b. Contact: C2680 (Surface Plating: Sn 10u" ) See Ordering Information

- 2, Electric:
  - a. Contact Resistance: 30 Milliohms Max
  - b. Insulation Resistance: 1000 MEGA OHMS Min
  - c. Dielectric Voltage: 500V AC One Sea Level
  - d. Operating Temperature: -55° To 105°

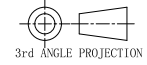
Order code:

BT — S — SN — R — CR2450A  
 ① — ② — ③ — ④ — ⑤

- ① BT: Coin Cell Holders
- ② Apperance for the product  
M: SMT TYPE  
S: 180 TYPE  
R: 90 TYPE
- ③ Contact Plating  
SN: Tin  
G0: Gold flash  
G1: 3U" Gold  
G2: 5U" Gold  
G3: 10U" Gold  
G4: 15U" Gold  
G5: 30U" Gold
- ④ Packing method  
A: Tray packing  
R: Tape & reel packing
- ⑤ Product number  
CR2450A

Unless Otherwise specified tolerance  
 X. ±0.35 X.XX: ±0.20  
 X.X: ±0.25 X.XXX: ±0.15

SCALE: As Shown	UNIT: mm
DRAW ZLA	DATE 21/07/2022
CHECK BobYang	DATE 21/07/2022



**Atkconn**® ATKCONN ELECTRONICS CO., LTD  
[Http://www.atkconn.com](http://www.atkconn.com)

TITLE: Coin Cell Holders For CR2450

DRAWING NO: BT-S-SN-R-CR2450A

PRODUCT NO: BT-S-SN-R-CR2450A

REV	DESCRIPTION	DATE
1		
2		
3		
4		
5		