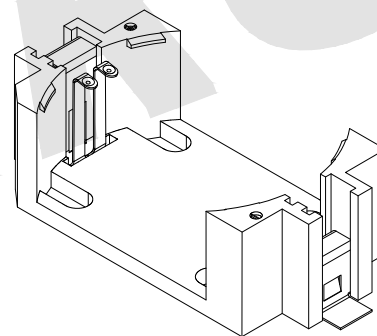
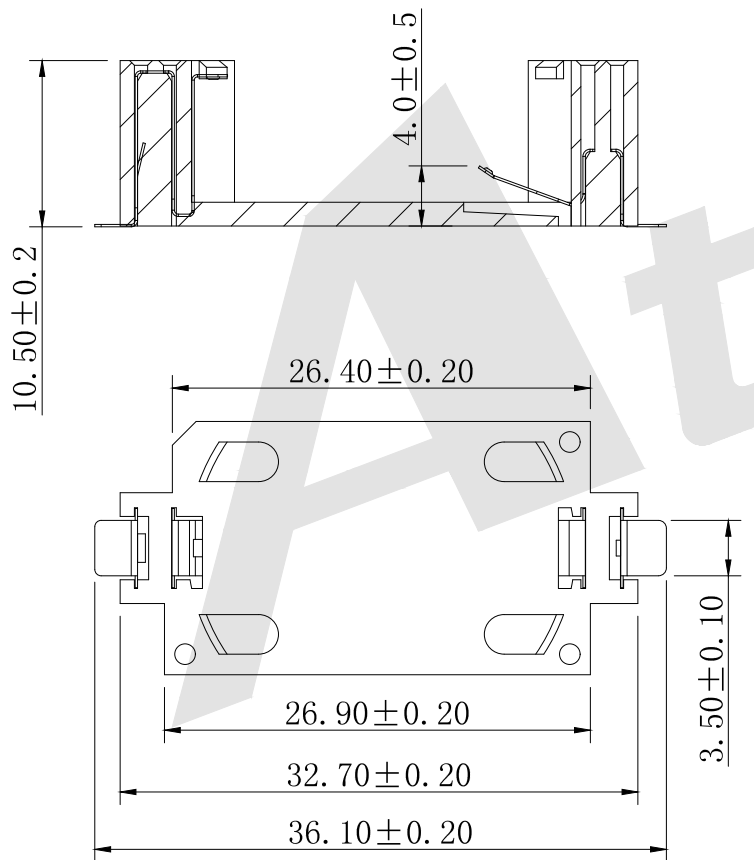
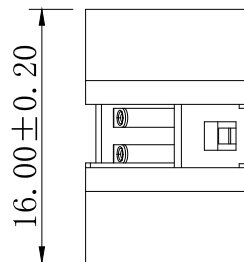
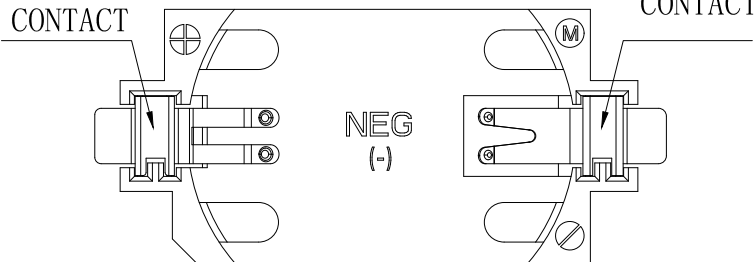




POSITIVE CONTACT

NEGATIVE CONTACT



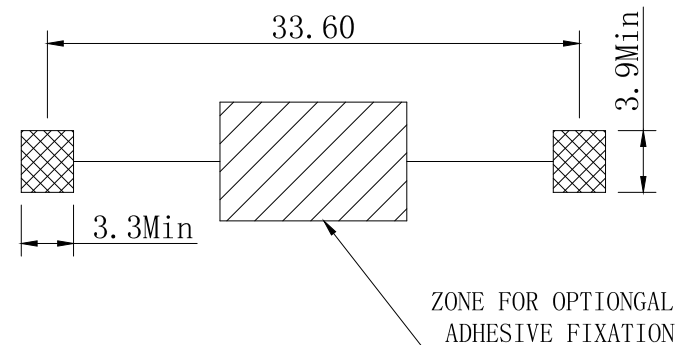
NOTES:

- 1, BASE
MAT'L: GLSAA FILED LCP UL 94V-0
- 2, CONTACTS:
MAT'L: 0.15mm TH'K PHOSPHOR BRONZE
FINISH: 1 u" GOLD FLASH, OVER NICKEL PLATE
- 3, OPERATING TRMPERATURE: 220° -255°
- △4. 250 PCS per reel

Order code:

BT — M — GO — R — CR2477A
 ① ② ③ ④ ⑤

- ① BT: Coin Cell Holders
- ② Apperance for the product
M: SMT TYPE
S: 180 TYPE
R: 90 TYPE
- ③ Contact Plating
SN: Tin
G0: Gold flash
G1: 3U" Gold
G2: 5U" Gold
G3: 10U" Gold
G4: 15U" Gold
G5: 30U" Gold
- ④ Packing method
A: Tray packing
R: Tape & reel packing
- ⑤ Product number
CR2477A



MOUNTING PAD & HOLE DETAIL

Unless Otherwise specified tolerance
 X. ±0.35 X.XX: ±0.20
 X.X: ±0.25 X.XXX: ±0.15

SCALE: As Shown UNIT: mm
 DRAW ZLA DATE 21/07/2022
 CHECK BobYang DATE 21/07/2022



Atkconn® ATKCONN ELECTRONICS CO., LTD
[Http://www.atkconn.com](http://www.atkconn.com)

TITLE: Coin Cell Holders For CR2477

DRAWING NO: BT-M-GO-R-CR2477A

PRODUCT NO: BT-M-GO-R-CR2477A

REV	DESCRIPTION	DATE
1		
2		
3		