



1.27mm Pin Header Dual Row SMT Type(W=3.0,H=1.6,2.0,2.5)

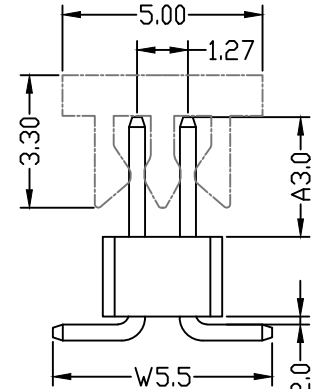
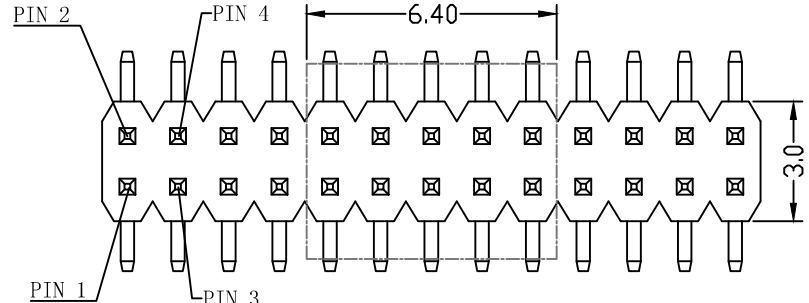
SPECIFICATION

Current Rating: 1Amp
 Insulation Resistance: 1000M ohms min
 Contact Resistance: 20M ohms max
 Dielectric Withstanding: AC500V
 Operating Temperature: -65°C to +125°C
 Contact Material: Brass
 Insulator Material: PA6T,UL 94V-0 Black

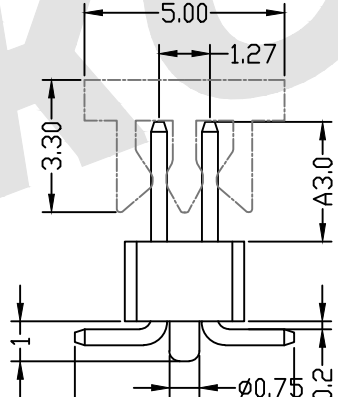
Ordering Code:

PHCM10 - X - X - D - A-D-W - X - X - X - X
 ① ② ③ ④ ⑤ ⑥ ⑦ ⑧ ⑨

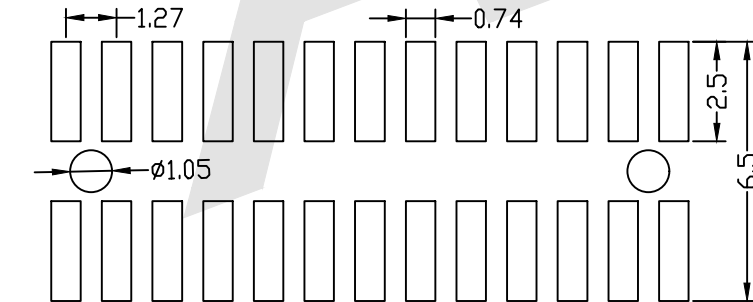
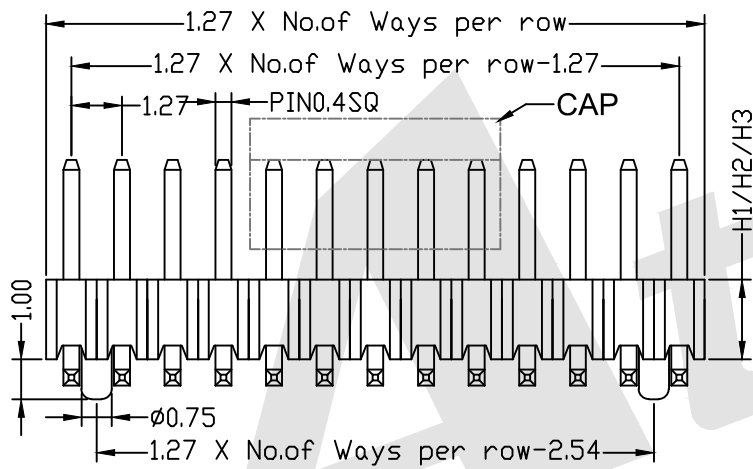
- ① Series No:
- ② No. of Contacts: 02 To 100
- ③ Contact Plating:
 G0:Gold flash S0:Selective
 G1:3U" Gold S1:Selective 3u"
 G2:5u" Gold S2:Selective 5u"
 G3:10u" Gold S3:Selective 10u"
 G4:15u" Gold S4:Selective 15u"
 G5:30u" Gold S5:Selective 30u"
 SN:Tin
- ④ Connector Type: D: Dual
- ⑤ Pin Length:
 A: 0300=3.00mm
 D: 0020=0.20mm
 W: 0550=5.50mm
 Please mark the desired length in the A/D/W
- ⑥ Insulator Material:
 B:PA6T
 C:LCP
 E:PA9T
- ⑦ Packing:
 A:Tray B:Bag
 T:Tube U:Tube+CAP
 R:Tape&Reel
 W:Tape&Reel+CAP
- ⑧ Plastic High:
 H1:1.6mm H2:2.0mm
 H3:2.5mm
- ⑨ With locating pegs option:
 A:Type A without pegs
 B:Type B with pegs



TYPE A



TYPE B



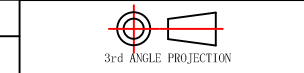
PCB LAYOUT

Unless Otherwise specified tolerance
 X. ±0.35 X.XX: ±0.20
 X.X: ±0.25 X.XXX: ±0.15

Atkconn® ATKCONN ELECTRONICS CO., LTD
[Http://www.atkconn.com](http://www.atkconn.com)

SCALE: As Shown	UNIT: mm
DRAW ZLA	DATE 24/04/2022
CHECK BobYang	DATE 24/04/2022

TITLE:
1.27mm Pin Header Dual Row SMT Type



DRAWING NO: PHCM10-XXD-0300-0020-0550-XXXX
 PRODUCT NO: PHCM10-XXD-0300-0020-0550-XXXX

REV	DESCRIPTION	DATE
1		
2		
3		
4		
5		