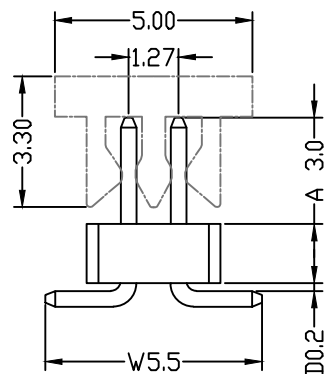
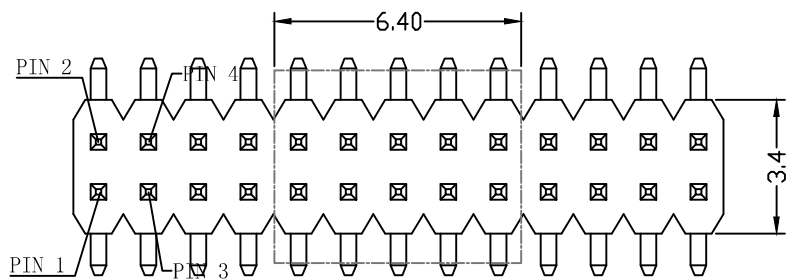


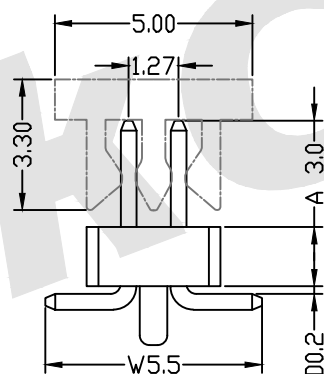
HSF



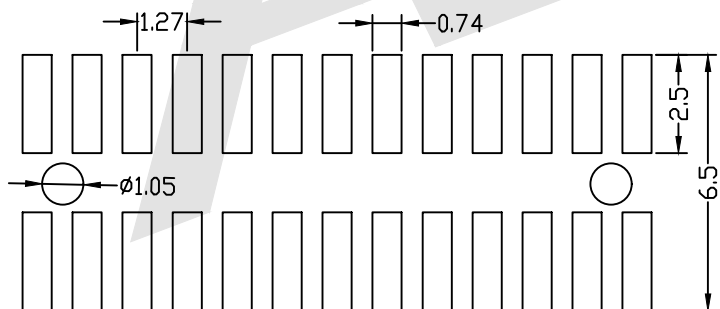
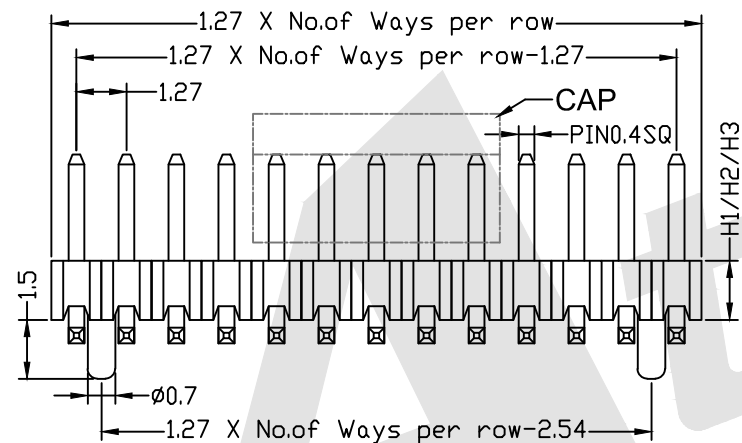
ROHS



TYPE A



TYPE B



PCB LAYOUT

SPECIFICATION

Current Rating:	1Amp
Insulation Resistance:	1000M ohms min
Contact Resistance:	20M ohms max
Dielectric Withstanding:	AC500V
Operating Temperature:	-65° C to +125° C
Contact Material:	Brass
Insulator Material:	PA6T, UL 94V-0 Black

Ordering Code:

PHCM11 - X - X - D - A-D-W - X - X - X - X
 ① ② ③ ④ ⑤ ⑥ ⑦ ⑧ ⑨

- ① Series No:
- ② No. of Contacts
02 To 100
- ③ Contact Plating:
G0:Gold flash S0:Selective
G1:3u" Gold S1:Selective 3u"
G2:5u" Gold S2:Selective 5u"
G3:10u" Gold S3:Selective 10u"
G4:15u" Gold S4:Selective 15u"
G5:30u" Gold S5:Selective 30u"
SN:Tin
- ④ Connector Type
D: Dual
- ⑤ Pin Length:
A: 0300=3.00mm
D: 0020=0.20mm
W: 0550=5.50mm
Please mark the desired length in the A/D/W
- ⑥ Insulator Material
B: PA6T
C: LCP
E: PA9T
- ⑦ Packing
A: Tray B: Bag
T: Tube U: Tube+CAP
R: Tape&Reel
W: Tape&Reel+CAP
- ⑧ Plastic High
H1: 0.85mm H2: 1.0mm
H3: 1.5mm
- ⑨ With locating pegs option
A: Type A without pegs
B: Type B with pegs

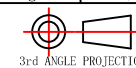
Unless Otherwise specified tolerance
 X. ±0.35 X.XX: ±0.20
 X.X: ±0.25 X.XXX: ±0.15

Atkconn® ATKCONN ELECTRONICS CO., LTD
[Http://www.atkconn.com](http://www.atkconn.com)

SCALE: As Shown	UNIT: mm
DRAW ZLA	DATE 24/04/2022
CHECK BobYang	DATE 24/04/2022

TITLE:
1.27mm Pin Header Dual Row SMT Type

DRAWING NO: PHCM11-XXD-0300-0020-0550-XXXX
 PRODUCT NO: PHCM11-XXD-0300-0020-0550-XXXX



REV	DESCRIPTION	DATE