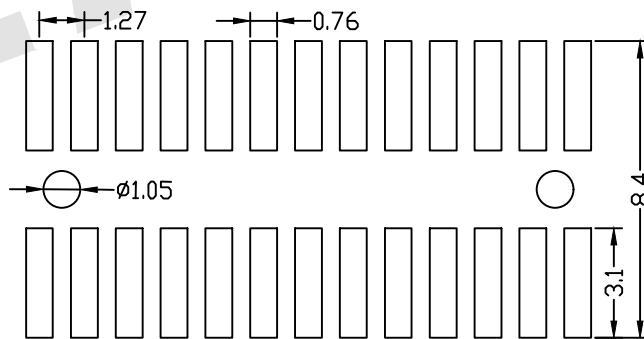
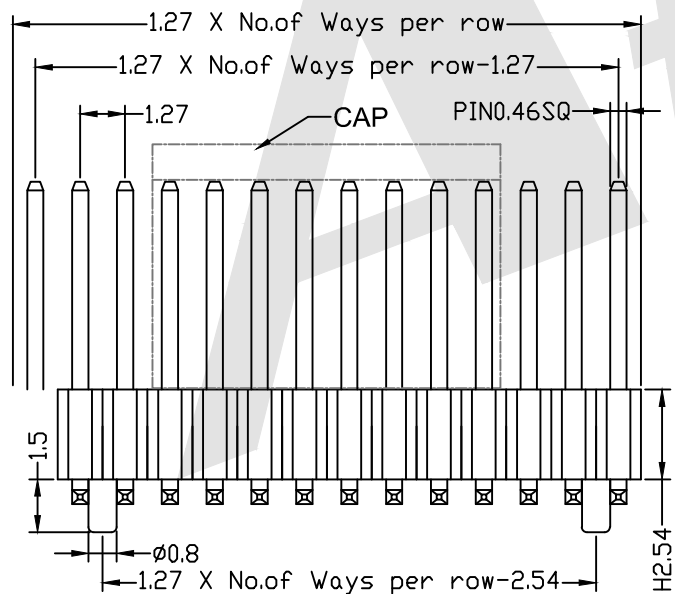
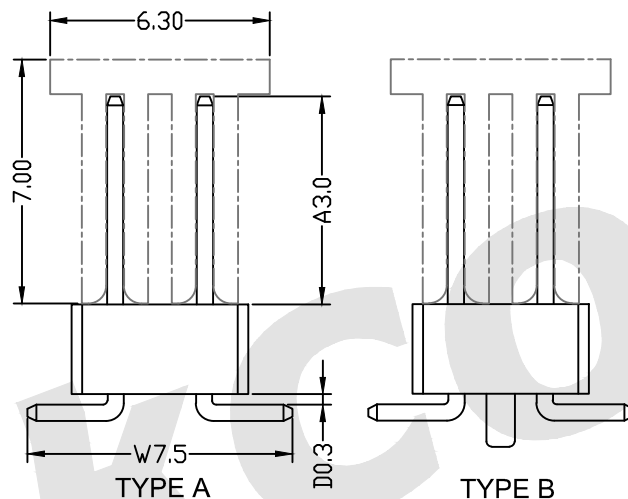
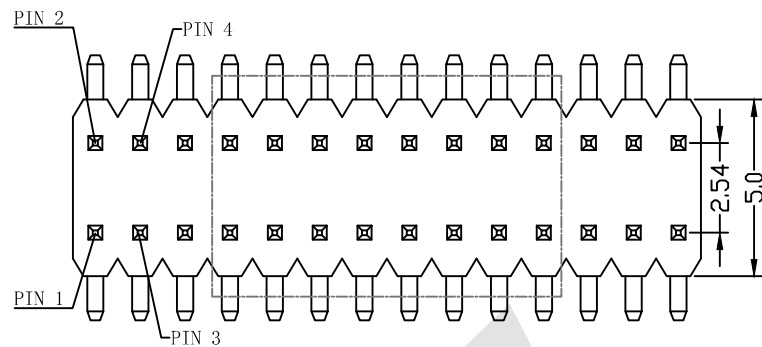




### 1.27x2.54mm Pin Header SMT Type Dual Row



PCB LAYOUT

### SPECIFICATION

Current Rating:	1Amp
Insulation Resistance:	1000M ohms min
Contact Resistance:	20M ohms max
Dielectric Withstanding:	AC500V
Operating Temperature:	-65°C to +125°C
Contact Material:	Brass
Insulator Material:	PA6T, UL 94V-0 Black

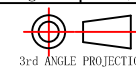
### Ordering Code:

PHCM14 - X - X - D - A-D-W - X - X - X  
 ① ② ③ ④ ⑤ ⑥ ⑦ ⑧

- ① Series No:
- ② No. of Contacts  
02 To 100
- ③ Contact Plating:  
G0: Gold flash S0: Selective  
G1: 3u" Gold S1: Selective 3u"  
G2: 5u" Gold S2: Selective 5u"  
G3: 10u" Gold S3: Selective 10u"  
G4: 15u" Gold S4: Selective 15u"  
G5: 30u" Gold S5: Selective 30u"  
SN: Tin
- ④ Connector Type  
D: Dual
- ⑤ Pin Length:  
A: 0300=3.00mm  
D: 0030=0.30mm  
W: 0750=7.50mm  
Please mark the desired length in the A/D/W
- ⑥ Insulator Material  
B: PA6T  
C: LCP  
E: PA9T
- ⑦ Packing  
A: Tray  
B: Bag  
T: Tube  
U: Tube+CAP  
R: Tape&Reel  
W: Tape&Reel+CAP
- ⑧ With locating pegs option  
A: Type A without pegs  
B: Type B with pegs

Unless Otherwise specified tolerance  
 X. ±0.35 X.XX: ±0.20  
 X.X: ±0.25 X.XXX: ±0.15

SCALE: As Shown UNIT: mm  
 DRAW ZLA DATE 24/04/2022  
 CHECK BobYang DATE 24/04/2022



**Atkconn**® ATKCONN ELECTRONICS CO., LTD  
[Http://www.atkconn.com](http://www.atkconn.com)

TITLE:  
 1.27X2.54mm Pin Header SMT Type Dual Row

DRAWING NO: PHCM14-XXD-0300-0030-0750-XXX  
 PRODUCT NO: PHCM14-XXD-0300-0030-0750-XXX

REV	DESCRIPTION	DATE