

HSF



ROHS

1.27x2.54mm Pin Header Dual Row Double Plastic SMT Type

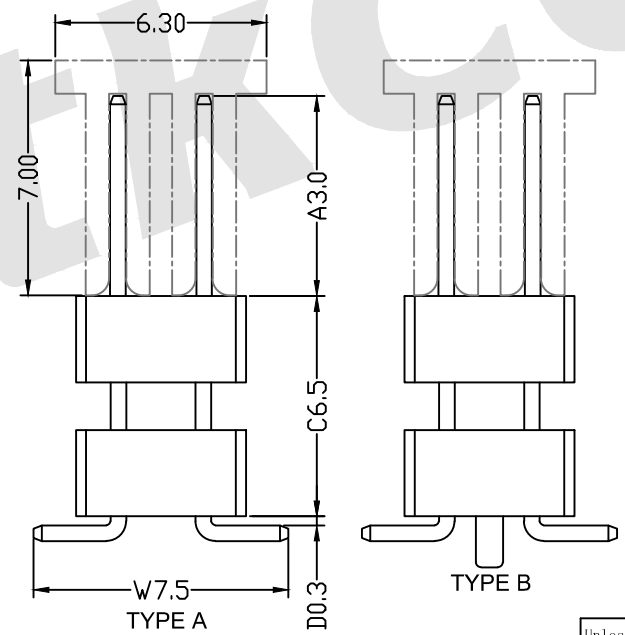
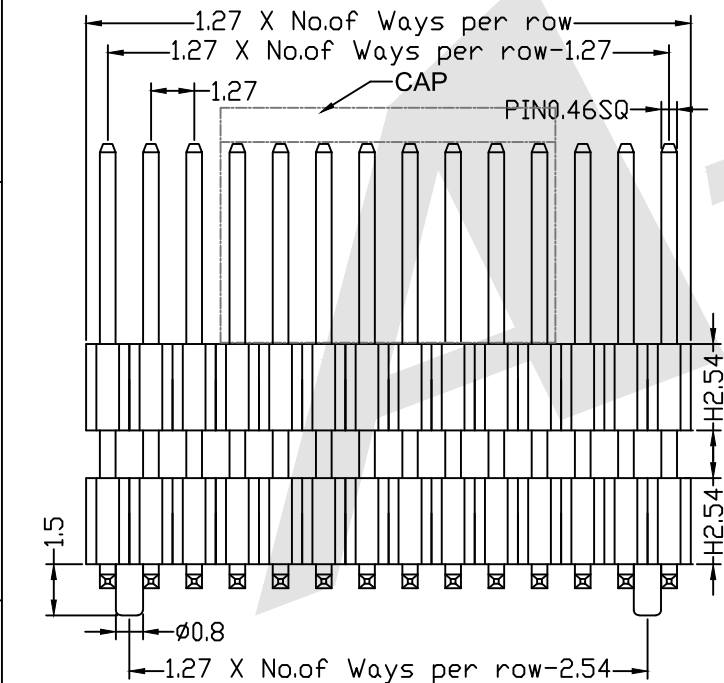
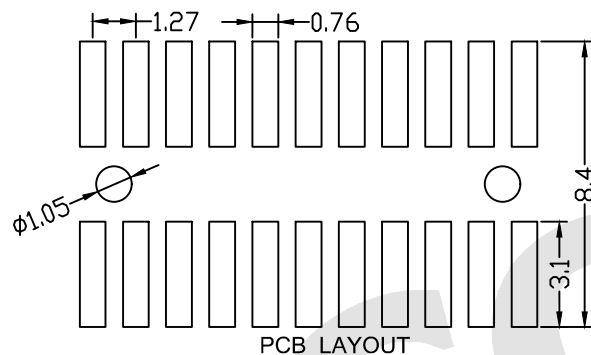
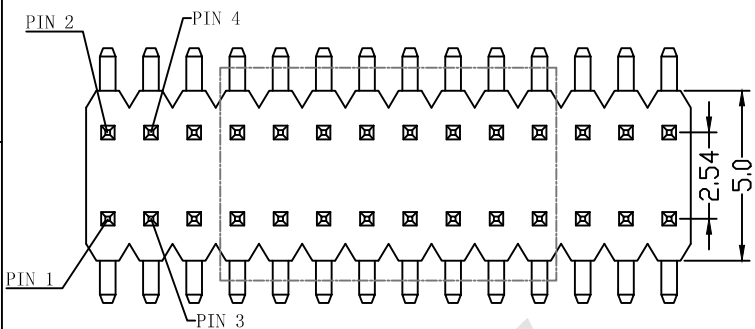
SPECIFICATION

Current Rating: 1Amp
 Insulation Resistance: 1000M ohms min
 Contact Resistance: 20M ohms max
 Dielectric Withstanding: AC500V
 Operating Temperature: -65°C to +125°C
 Contact Material: Brass
 Insulator Material: PA6T,UL 94V-0 Black

Ordering Code:

PHCM15 - X - X - D - A-C-D-W - X - X - X
 ① ② ③ ④ ⑤ ⑥ ⑦ ⑧

- ① Series No:
- ② No. of Contacts
02 To 100
- ③ Contact Plating:
G0:Gold flash S0:Selective
G1:3u" Gold S1:Selective 3u"
G2:5u" Gold S2:Selective 5u"
G3:10u" Gold S3:Selective 10u"
G4:15u" Gold S4:Selective 15u"
G5:30u" Gold S5:Selective 30u"
SN: Tin
- ④ Connector Type
D: Dual
- ⑤ Pin Length:
A: 0300=3.00mm
C: 0650=6.50mm
D: 0030=0.30mm
W: 0750=7.50mm
Please mark the desired length in the A/C/D/W
- ⑥ Insulator Material
B: PA6T
C: LCP
E: PA9T
- ⑦ Packing
A: Tray
B: Bag
T: Tube
U: Tube+CAP
R: Tape&Reel
W: Tape&Reel+CAP
- ⑧ With locating pegs option
A: Type A without pegs
B: Type B with pegs

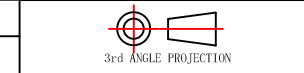


Unless Otherwise specified tolerance
 X. ±0.35 X.XX: ±0.20
 X.X: ±0.25 X.XXX: ±0.15

Atkconn® ATKCONN ELECTRONICS CO., LTD
[Http://www.atkconn.com](http://www.atkconn.com)

SCALE: As Shown UNIT: mm
 DRAW ZLA DATE 24/04/2022
 CHECK BobYang DATE 24/04/2022

TITLE: 1.27X2.54mm Pin Header
 Dual Row Double Plastic SMT Type



DRAWING NO: PHCM15-XXD- 0300-0650-0030-0550 - XXX
 PRODUCT NO: PHCM15-XXD- 0300-0650-0030-0550 - XXX

REV	DESCRIPTION	DATE
1		
2		
3		
4		
5		