



ROHS

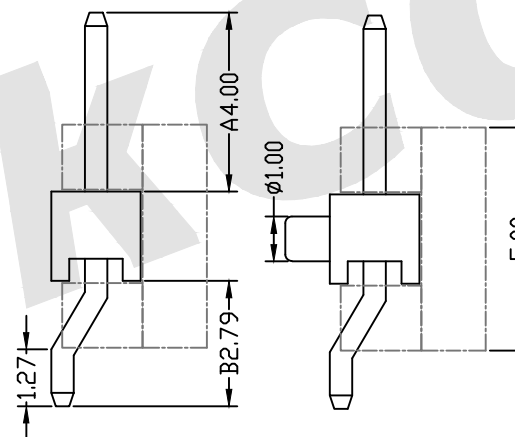
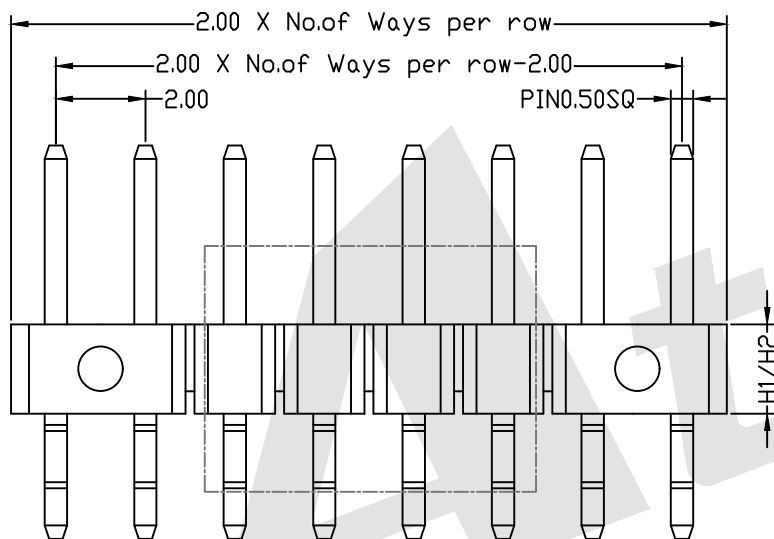
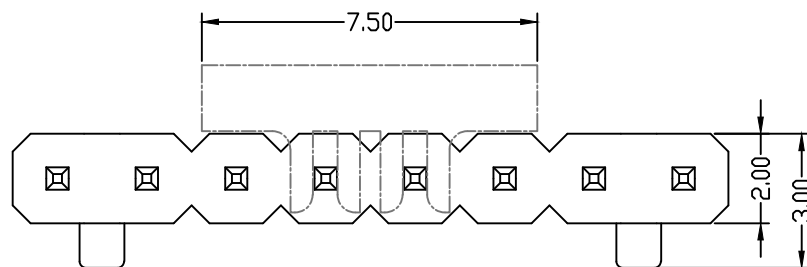
### SPECIFICATION

Current Rating: 1.5 Amp  
 Insulation Resistance: 1000M ohms min  
 Contact Resistance: 20M ohms max  
 Dielectric Withstanding: AC500V  
 Operating Temperature: -65°C to +125°C  
 Contact Material: Brass Black  
 Insulator Material: PA6T,UL 94V-0 Black

#### Ordering Code:

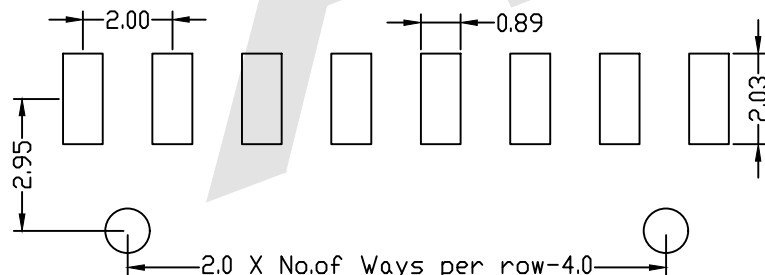
PHDM01 - X - X - S - A-B - X - X - X - X  
 ① ② ③ ④ ⑤ ⑥ ⑦ ⑧ ⑨

- ① Series No:
- ② No. of Contacts  
01 To 40
- ③ Contact Plating:  
G0: Gold flash S0: Selective  
G1: 3u" Gold S1: Selective 3u"  
G2: 5u" Gold S2: Selective 5u"  
G3: 10u" Gold S3: Selective 10u"  
G4: 15u" Gold S4: Selective 15u"  
G5: 30u" Gold S5: Selective 30u"  
SN: Tin
- ④ Connector Type  
S: Single
- ⑤ Pin Length:  
A: 0400=4.00mm  
B: 0279=2.79mm  
Please mark the desired length in the A/B
- ⑥ Insulator Material  
A: PBT B: PA6T  
C: LCP D: PA46  
E: PA9T
- ⑦ Packing  
A: Tray  
B: Bag  
T: Tube  
U: Tube+CAP  
R: Tape&Reel  
W: Tape&Reel+CAP
- ⑧ With locating pegs option  
A: Type A without pegs  
B: Type B with pegs
- ⑨ Plastic High  
H1: 1.5mm  
H2: 2.0mm



TYPE A

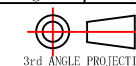
TYPE B



PCB LAYOUT

Unless Otherwise specified tolerance  
 X. ±0.35 X.XX: ±0.20  
 X.X: ±0.25 X.XXX: ±0.15

SCALE: As Shown UNIT: mm  
 DRAW ZLA DATE 24/04/2022  
 CHECK BobYang DATE 24/04/2022



**Atkconn**® ATKCONN ELECTRONICS CO., LTD  
[Http://www.atkconn.com](http://www.atkconn.com)

TITLE: 2.00mm Pin Header  
 Single Row Angle SMT Type

DRAWING NO: PHDM01-XXS-0400-0279-XXXX

PRODUCT NO: PHDM01-XXS-0400-0279-XXXX

REV	DESCRIPTION	DATE
1		
2		
3		
4		
5		