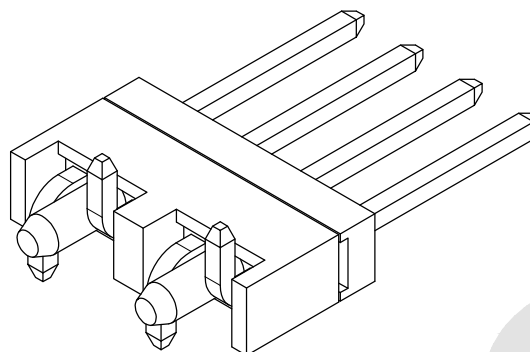
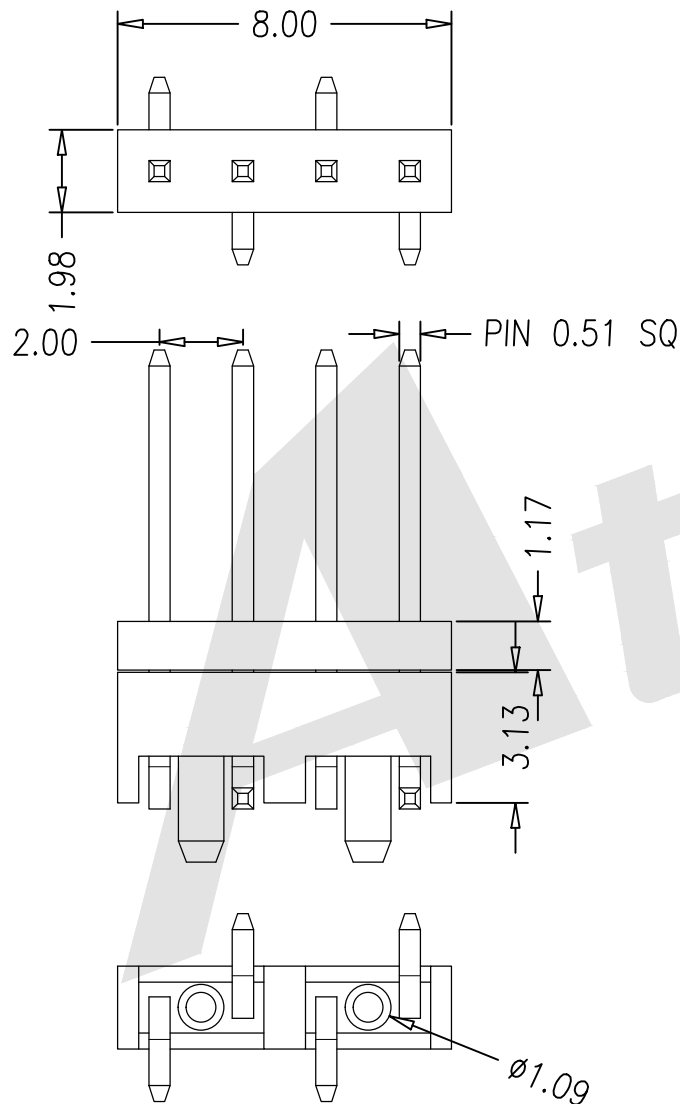


HSF



ROHS



### SPECIFICATION

Current Rating: 1.5 Amp  
 Insulation Resistance: 1000M $\Omega$  min  
 Contact Resistance: 20m $\Omega$  max  
 Dielectric Withstanding: AC500V  
 Operating Temperature: -65 $^{\circ}$ C to +125 $^{\circ}$ C  
 Contact Material: Brass  
 Insulator Material: PA6T, UL 94V-0 Black

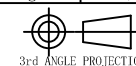
Ordering Code:

PHDM04 - X - X - S - X - X  
 ① ② ③ ④ ⑤ ⑥

- ① Series No:
- ② No. of Contacts  
01 To 40
- ③ Contact Plating:  
G0: Gold flash S0: Selective  
G1: 3U" Gold S1: Selective 3u"  
G2: 5u" Gold S2: Selective 5u"  
G3: 10u" Gold S3: Selective 10u"  
G4: 15u" Gold S4: Selective 15u"  
G5: 30u" Gold S5: Selective 30u"  
SN: Tin
- ④ Connector Type  
S: Single
- ⑤ Insulator Material  
A: PBT B: PA6T  
C: LCP D: PA46  
E: PA9T
- ⑥ Packing  
A: Tray  
B: Bag  
T: Tube  
U: Tube+CAP  
R: Tape&Reel  
W: Tape&Reel+CAP

Unless Otherwise specified tolerance  
 X.  $\pm 0.35$  X.XX:  $\pm 0.20$   
 X.X:  $\pm 0.25$  X.XXX:  $\pm 0.15$

SCALE: As Shown UNIT: mm  
 DRAW ZLA DATE 24/04/2022  
 CHECK BobYang DATE 24/04/2022



**Atkconn**® ATKCONN ELECTRONICS CO., LTD  
[Http://www.atkconn.com](http://www.atkconn.com)

TITLE:  
 2.00mm Pin Header Single Row SMT Type With  
 Post Presto-SPAN-B Connector Reference

DRAWING NO: PHDM04-04G0SBW

PRODUCT NO: PHDM04-04G0SBW

REV	DESCRIPTION	DATE