



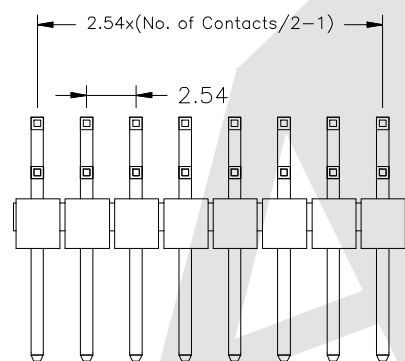
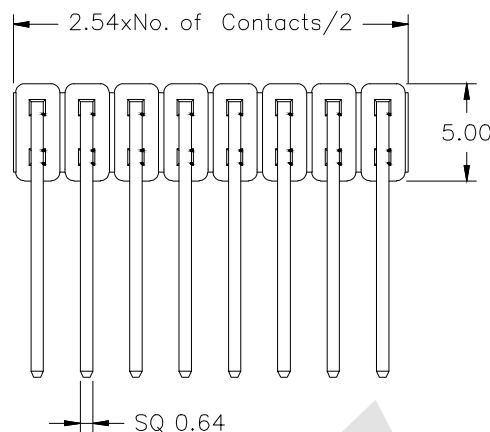
SPECIFICATION

Current Rating: 3 Amp
 Insulation Resistance: 5000M ohms min
 Dielectric Withstanding: AC500V
 Operating Temperature: -40°C to +105°C
 Contact Material: Copper Alloy
 Insulator Material: Polyester, UL 94V-0
 Finish: Tin, Gold Plated
 Standard: Gold Flash all over

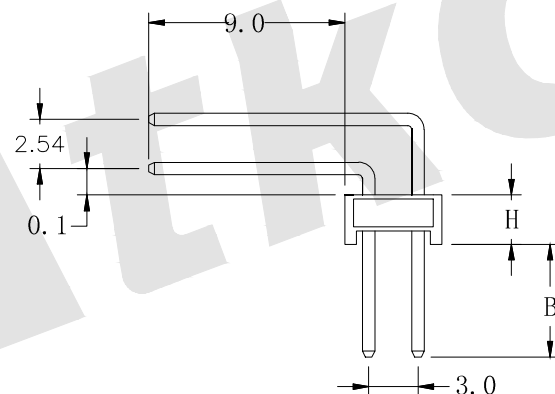
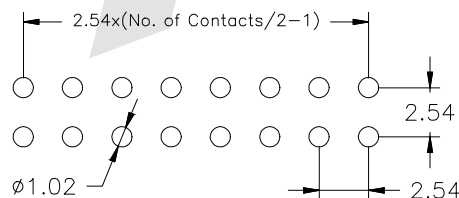
Ordering Code:

PHER04B - X - X - D - A - B - X - X - X
 ① ② ③ ④ ⑤ ⑥ ⑦ ⑧

- ① Series No:
- ② No. of Contacts
02 To 80
- ③ Contact Plating:
G0: Gold flash S0: Selective
G1: 3u" Gold S1: Selective 3u"
G2: 5u" Gold S2: Selective 5u"
G3: 10u" Gold S3: Selective 10u"
G4: 15u" Gold S4: Selective 15u"
G5: 30u" Gold S5: Selective 30u"
SN: Tin
- ④ Connector Type
D: Dual
- ⑤ Pin Length:
A: 0900=9.00mm
B: 0300=3.00mm
Please mark the desired length in the A/B
- ⑥ Insulator Material
A: PBT
B: PA6T
C: LCP
D: PA46
E: PA9T
- ⑦ Packing:
A: Tray
B: Bag
T: Tube
U: Tube+CAP
R: Tape&Reel
W: Tape&Reel+CAP
- ⑧ Plastic High
H1: 1.70mm
H2: 2.54mm
H3: 2.00mm
H4: 1.50mm

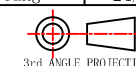


Recommended P.C Board Hole Layout



Unless Otherwise specified tolerance
 X. XX: ±0.20
 X. X: ±0.25 X. XXX: ±0.15
 X. XX: ±0.35

SCALE: As Shown UNIT: mm
 DRAW ZLA DATE 24/04/2022
 CHECK BobYang DATE 24/04/2022



Atkconn® ATKCONN ELECTRONICS CO., LTD
<http://www.atkconn.com>

TITLE:
2.54mm Pin Header Dual Row Angle Reverse Type

DRAWING NO: PHER04B-XXD-AB-XXX
 PRODUCT NO: PHER04B-XXD-AB-XXX

REV	DESCRIPTION	DATE
1		
2		
3		
4		
5		