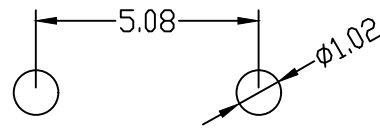
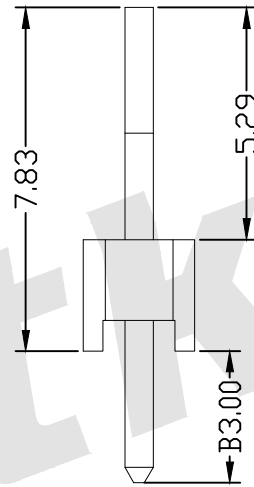
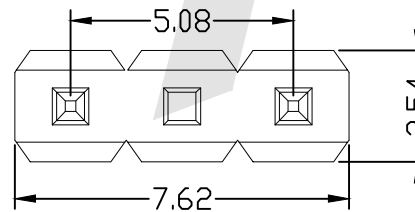
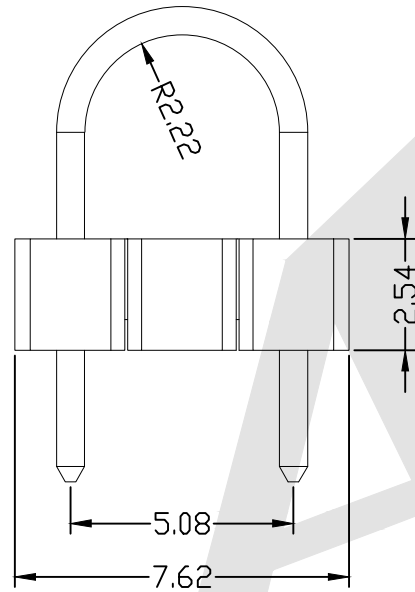
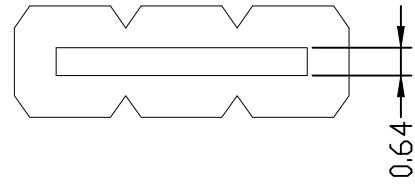


HS

ROHS

SPECIFICATIONS:

Current Rating: 3 Amp
 Insulation Resistance: 5000M ohms min
 Contact Resistance: 20M ohms max
 Dielectric Withstanding: AC500V
 Operating Temperature: -65° C to +125° C
 Contact Material: Brass
 Insulator Material: PBT, UL 94V-0 Black



PCB LAYOUT

Ordering Code:

PHEU01 - 03 - X - X - X - X - 01
 ① ② ③ ④ ⑤ ⑥ ⑦

- ① Series No:
- ② No. of Contacts: 03
- ③ Contact Plating:
 G0:Gold flash S0:Selective
 G1:3U" Gold S1:Selective 3u"
 G2:5u" Gold S2:Selective 5u"
 G3:10u" Gold S3:Selective 10u"
 G4:15u" Gold S4:Selective 15u"
 G5:30u" Gold S5:Selective 30u"
 SN:Tin
- ④ Pin Length:
 B:0300=3.00mm
 Please mark the desired length in the B
- ⑤ Insulator Material:
 A:PBT
 B:PA6T
 C:LCP
 D:PA46
 E:PA9T
- ⑥ Packing:
 A:Tray
 B:Bag
 T:Tube
 U:Tube+CAP
 R:Tape&Reel
 W:Tape&Reel+CAP
- ⑦ Number: 01

Unless otherwise specified tolerance
 X. ±0.3 X.XX: ±0.2
 X.X: ±0.2 X.XX: ±0.1
Atkconn ATKCONN ELECTRON
 Http://www.atkconn.com

SCALE: UNIT:
 As Shown mm
 DRAW DATE
 ZLA 24/04/2022
 CHECK DATE
 BobYang 24/04/2022
 TITLE 2.54mm Pin Header Single
 Row 180 Degrees Hook Type

DRAWING PHEU01-03XXXX01
 PRODUCT PHEU01-03XXXX01
 3RD ANGLE PROJECTION

A

B

C

D

A

B

C

D

REV	DESCRIPTION	DATE
1		
2		
3		
4		
5		

6	7	8
---	---	---